

MODEL 540-542 SCHEMATICS

REV. A	10 APR 78

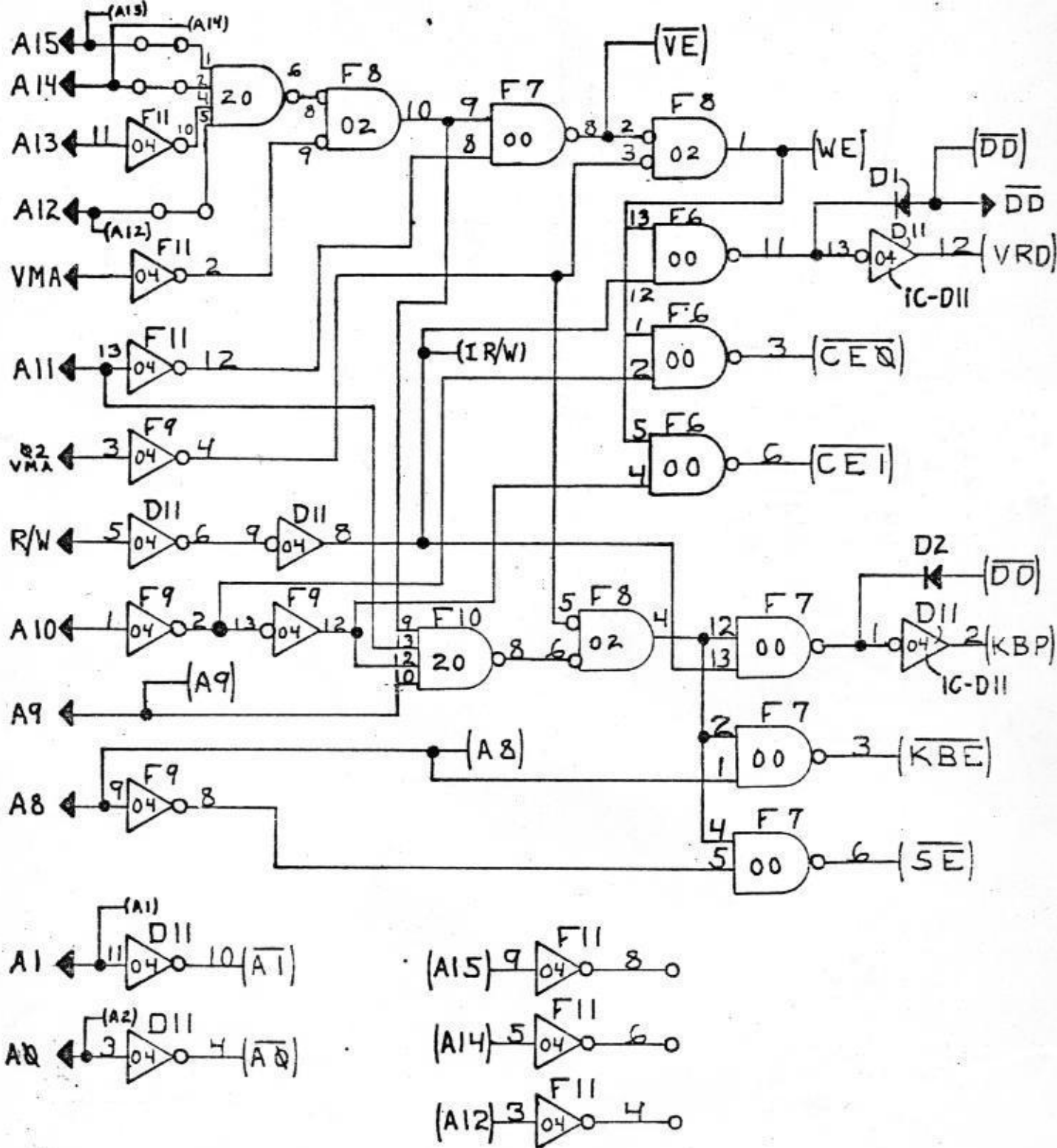


DIAGRAM 1
ADDRESS DECODER

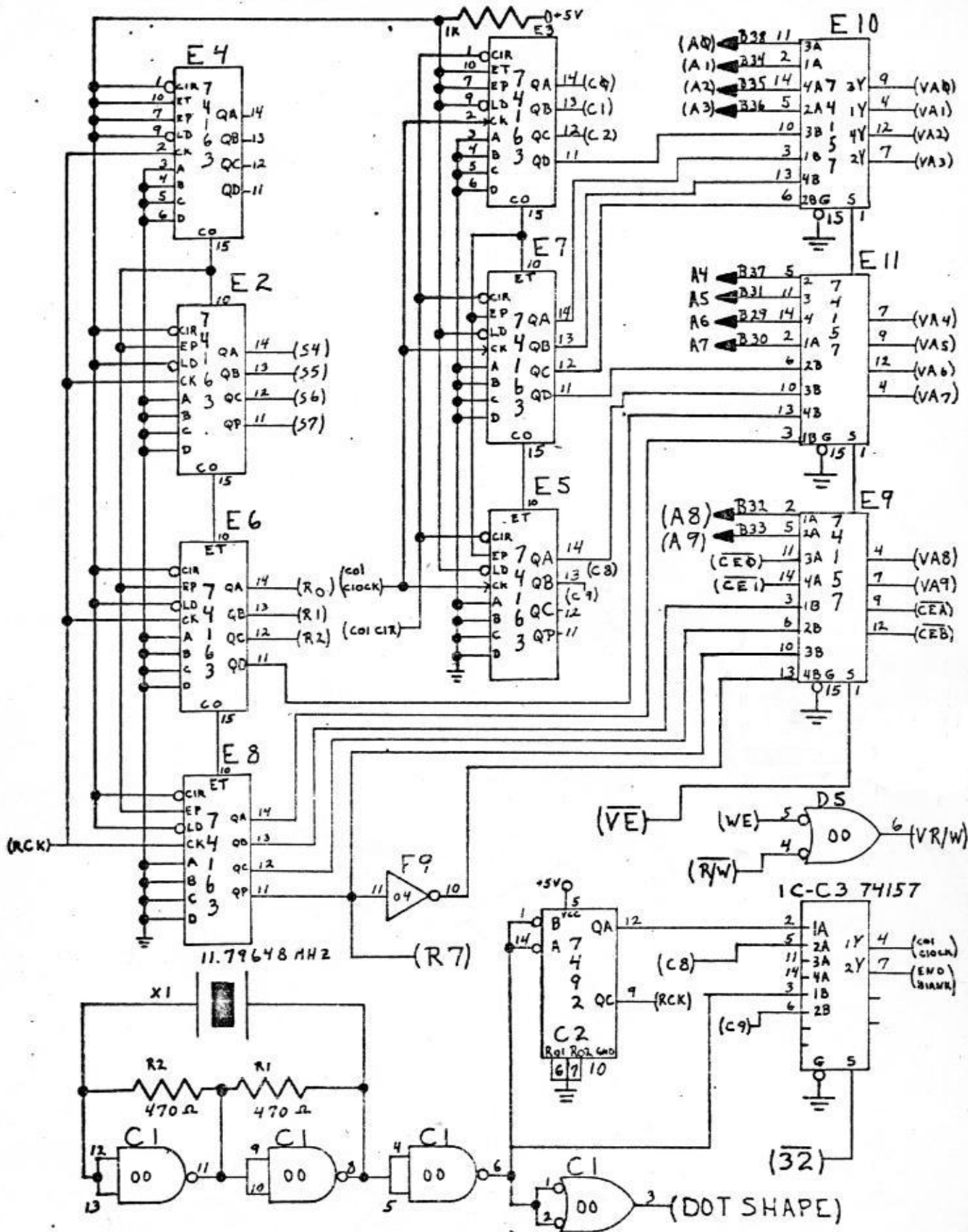


DIAGRAM 2-
COUNTERS AND
ADDRESS MULTIPLEXERS

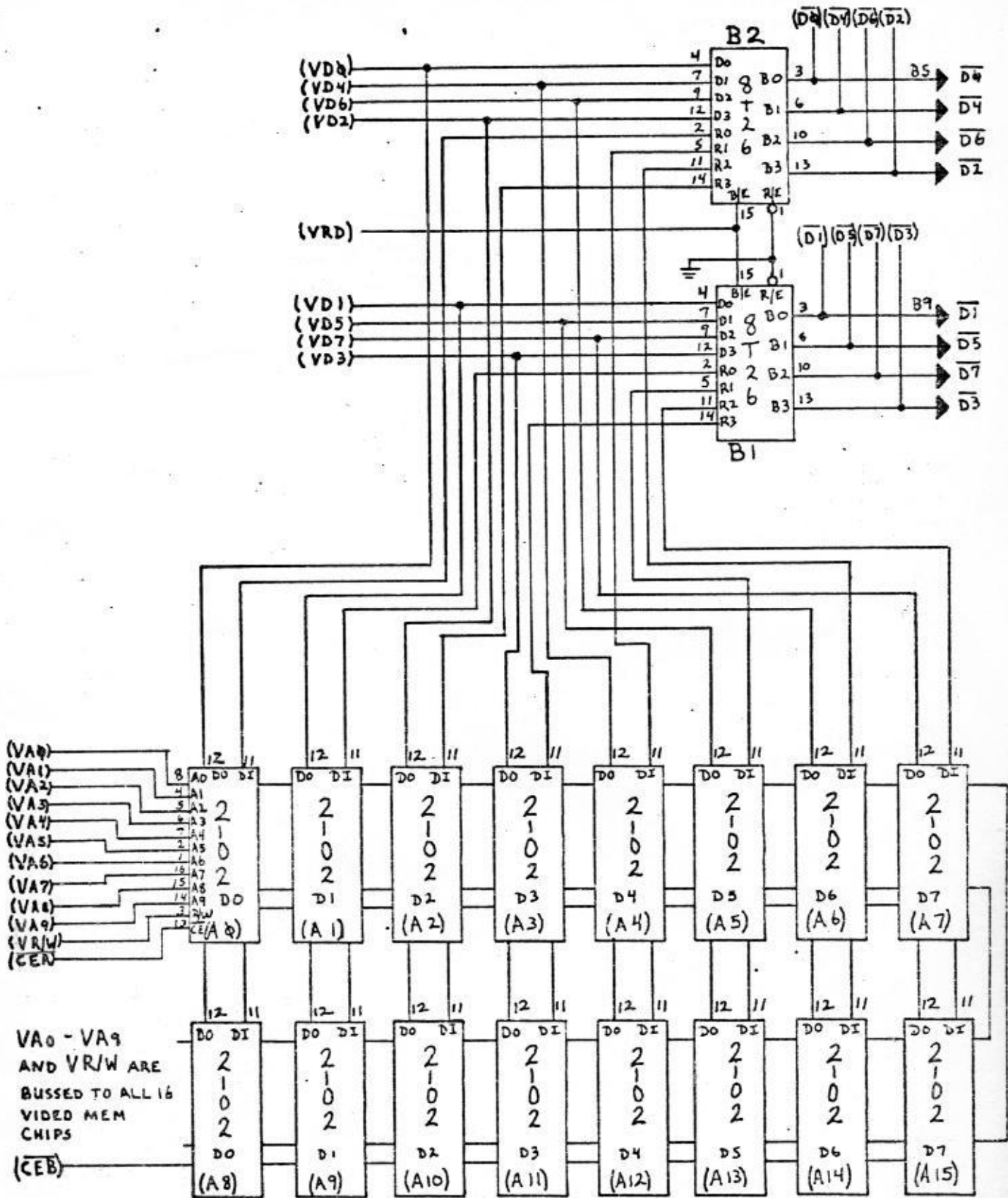
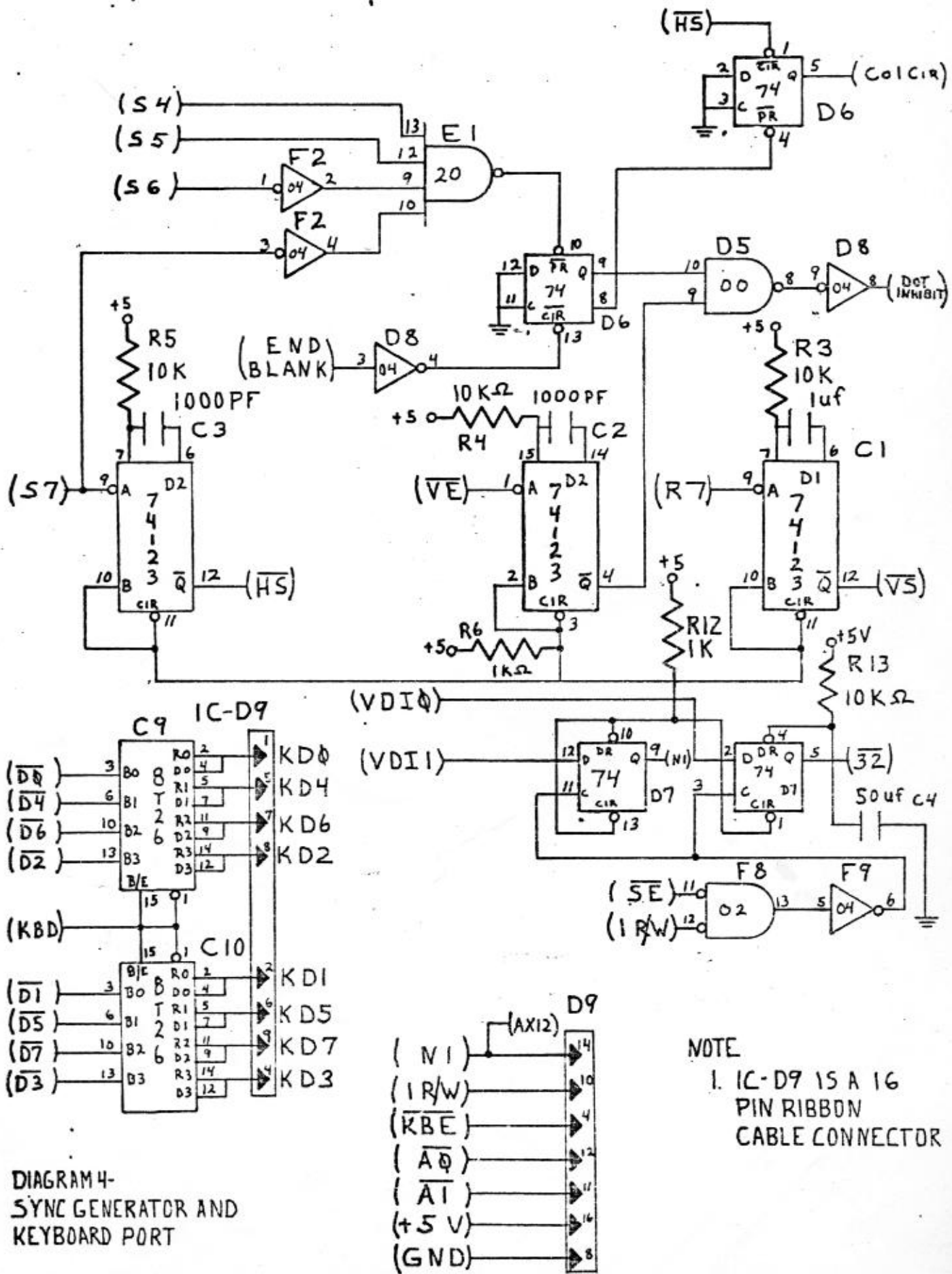
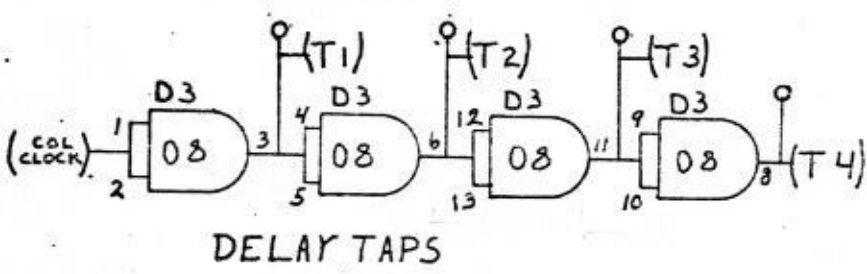
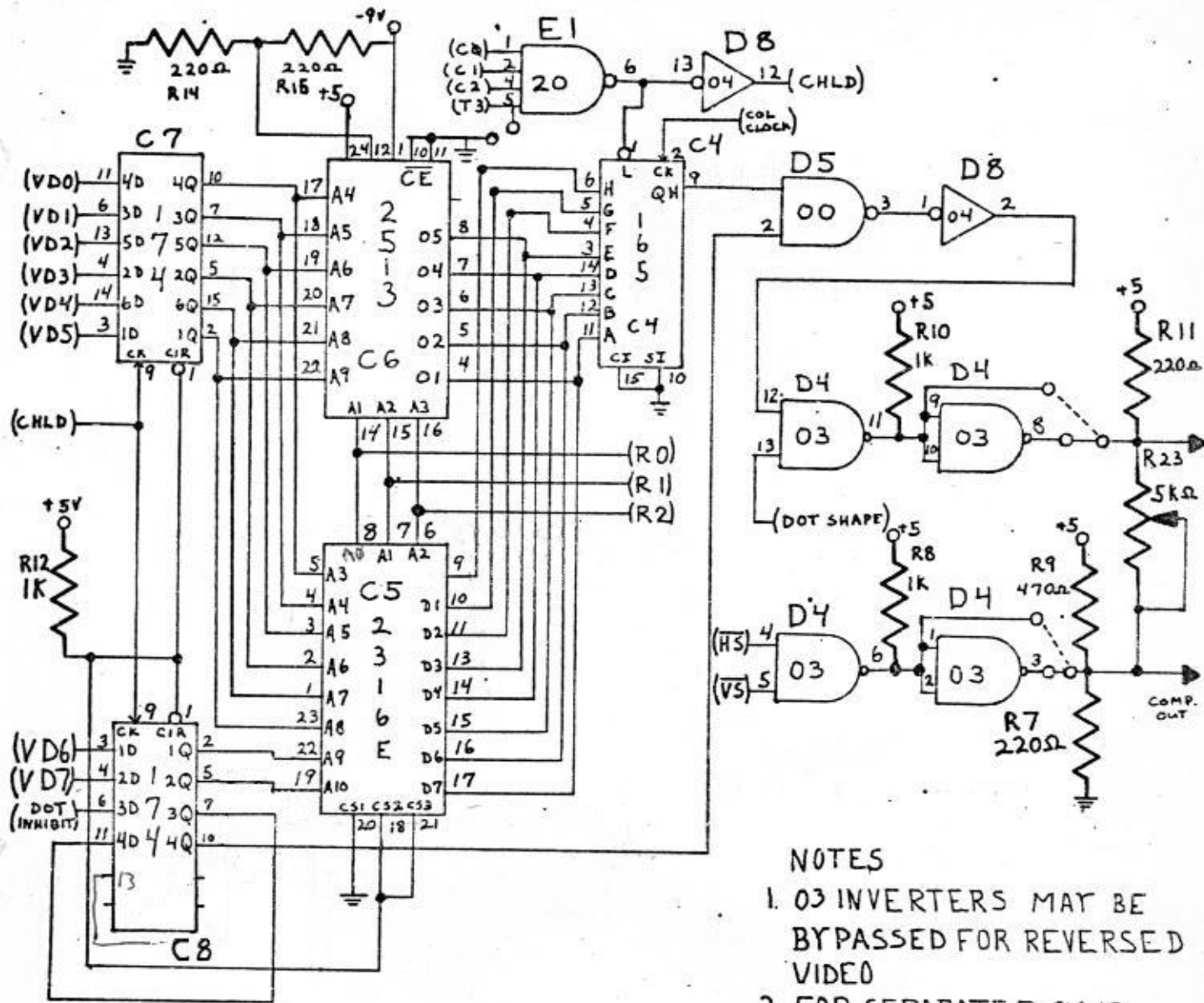


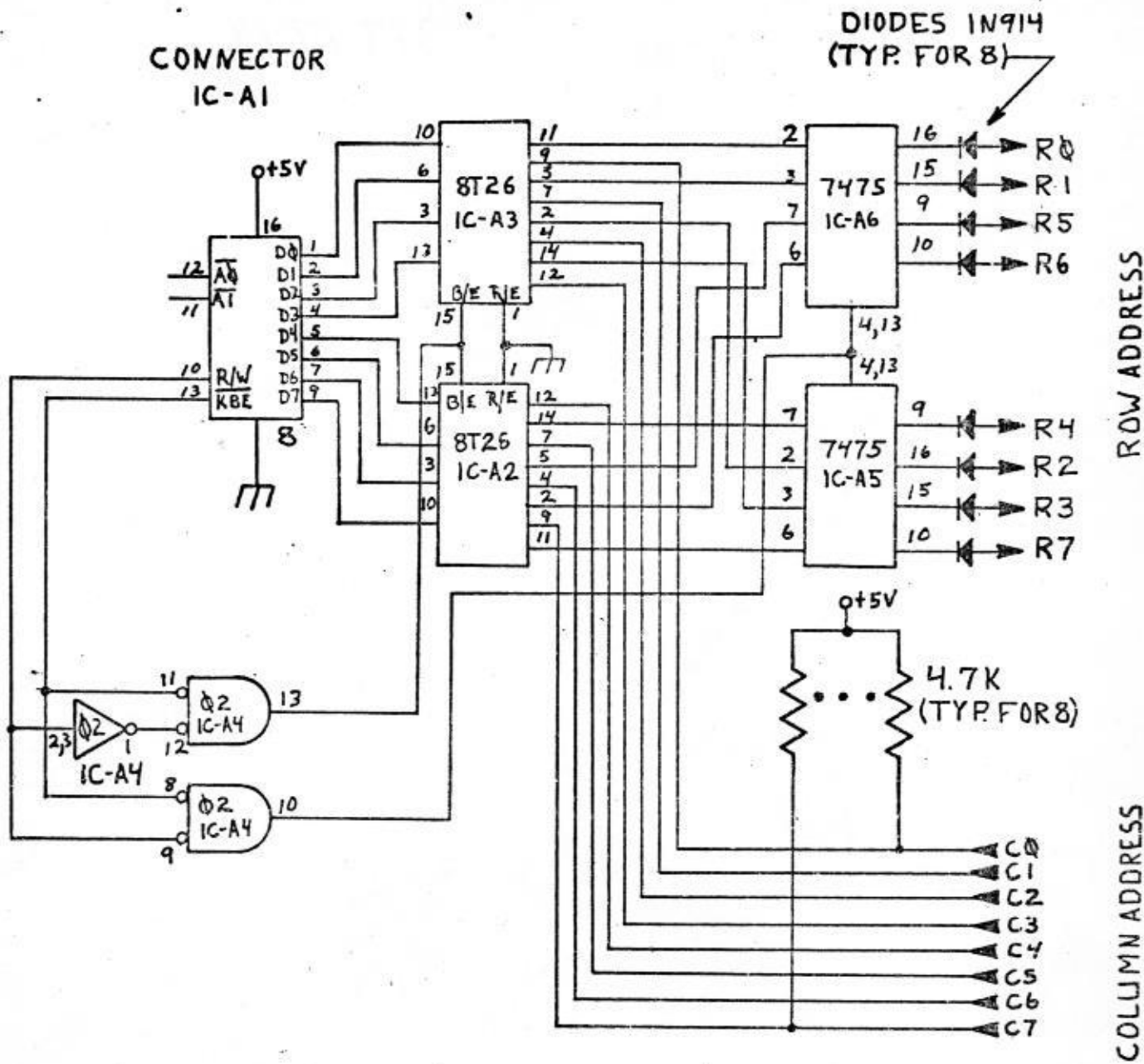
DIAGRAM 3-
VIDEO DISPLAY
RAM





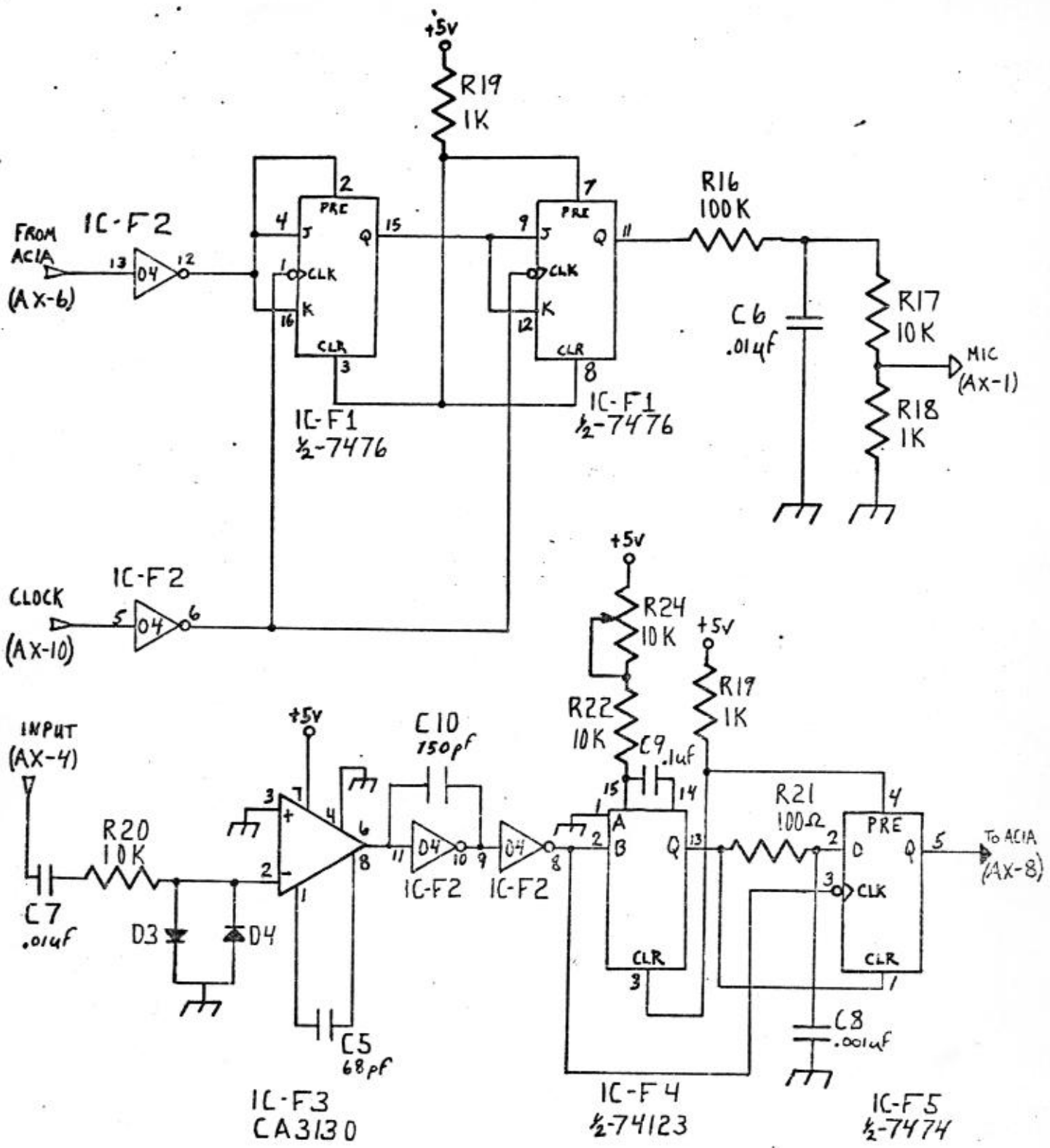
- NOTES
1. 03 INVERTERS MAY BE BYPASSED FOR REVERSED VIDEO
 2. FOR SEPARATED SYNC OMIT 5K POT
 3. EITHER 2513 OR 2316E CAN BE INSTALLED BUT NOT BOTH AT THE SAME TIME. IF 2513 IS USED PINS 9, 10 AND 11 OF 2316E LOCATION MUST BE GROUNDED.

DIAGRAM 5-
CHARACTER GENERATORS
AND VIDEO DRIVERS

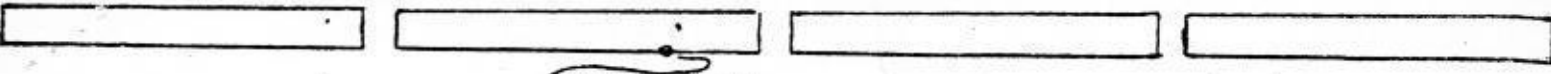


"BRK" SWITCH → TO SYSTEM RESET CIRCUITRY

MODEL 542 - POLLED KEYBOARD



MODEL
 540 BOARD
 AUDIO CASSETTE INTERFACE



0.25 MF OR LARGER

PROTO

A16 2102

A15

A14

A13

A12

A11

A10

A9

A8

A7

A6

A5

A4

A3

A2

2102

B2 8126

B1 8126

C10 8126

C9 8126

CB 74174

CT 74174

C6 2513

C5 2316E

C4 74165

C3 74157

C2 7492

C1 7400

D11 7404

D10 PROTO

D9 CONNECT

D8 7404

D7 7474

D6 7474

D5 7400

D4 7403

D3 7408

D2 74123

D1 74123

E11 74157

E10 74157

E9 74157

E8 74163

E7 74163

E6 74163

E5 74163

E4 74163

E3 74163

E2 74163

E1 7420

F11 7404

F10 7420

F9 7404

F8 7402

F7 7400

F6 7400

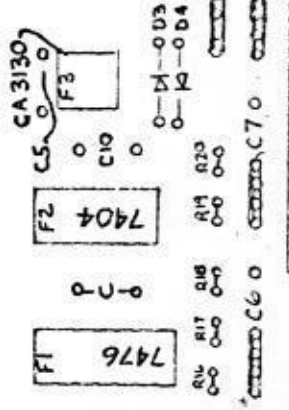
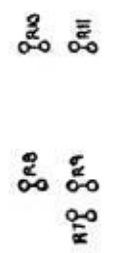
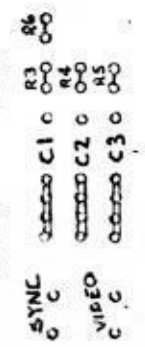
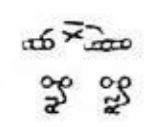
F5A PROTO

F5 7474

F4 74123

F2 7404

F1 7476



0-N-001
0-N-002

MODEL 540

C = 0.1 MF POWER SUPPLY DECOUPLING