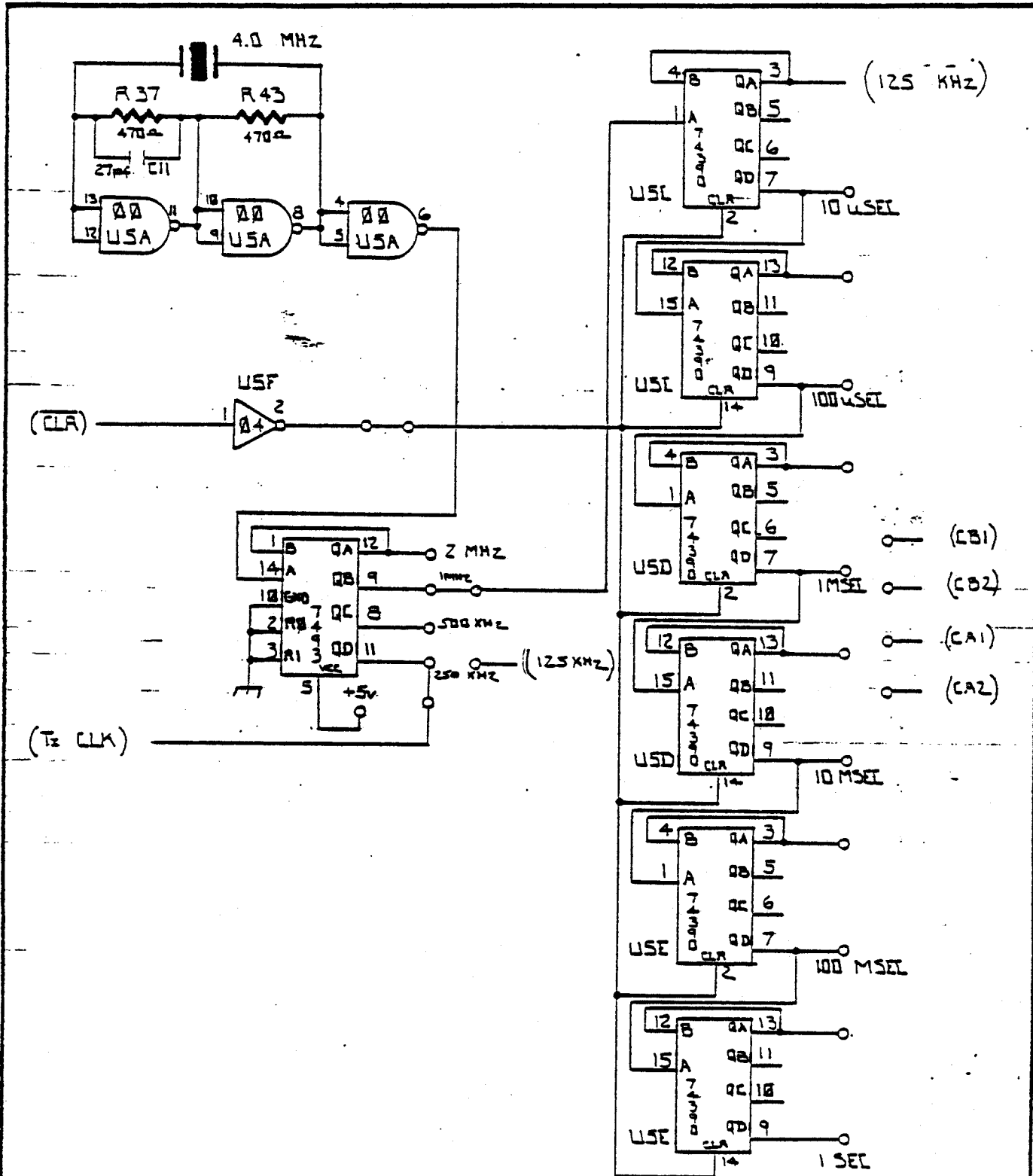


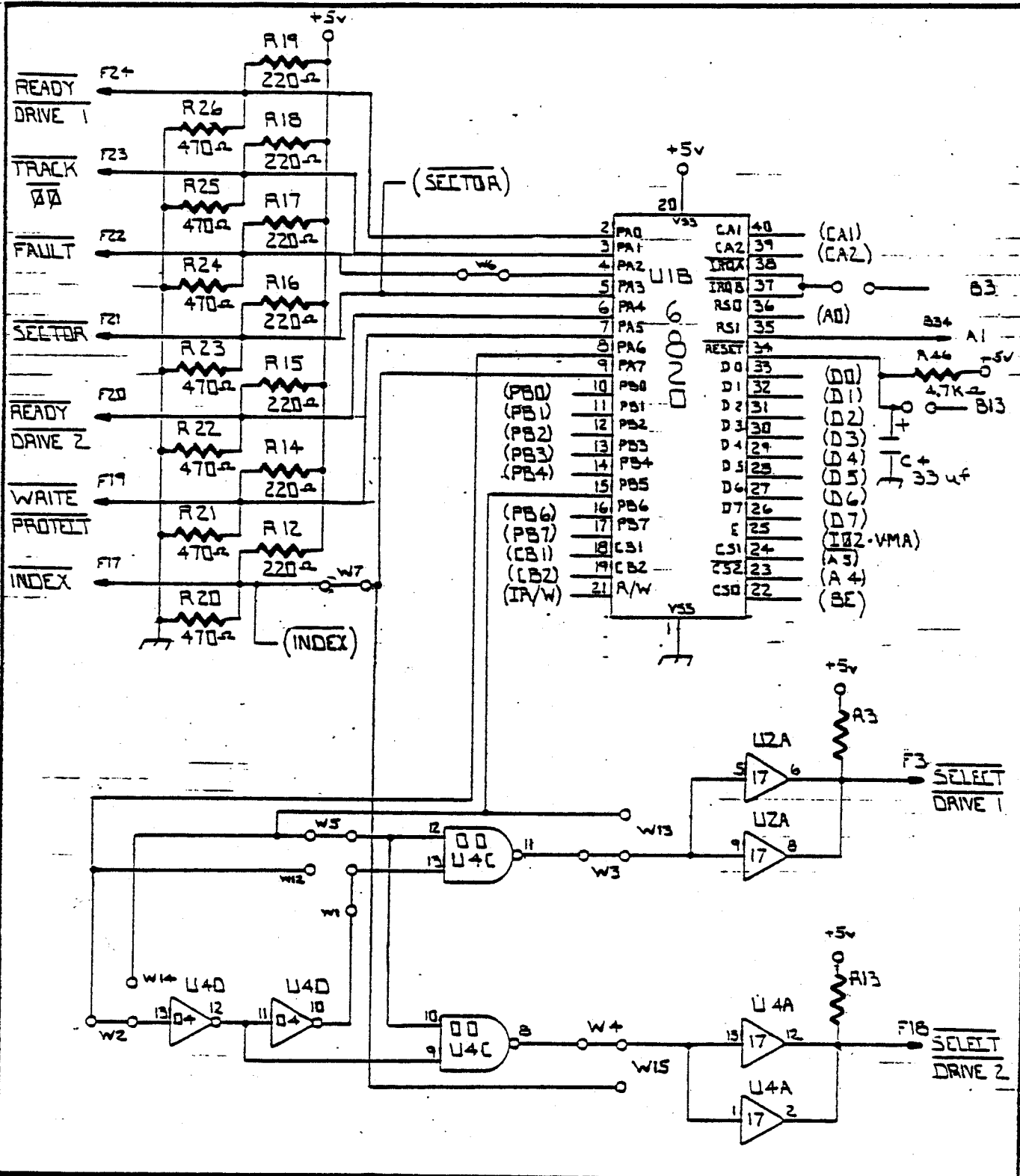
**OHIO SCIENTIFIC**

product name/number MODEL 470  
SINGLE SIDED FLOPPY INTERFACE

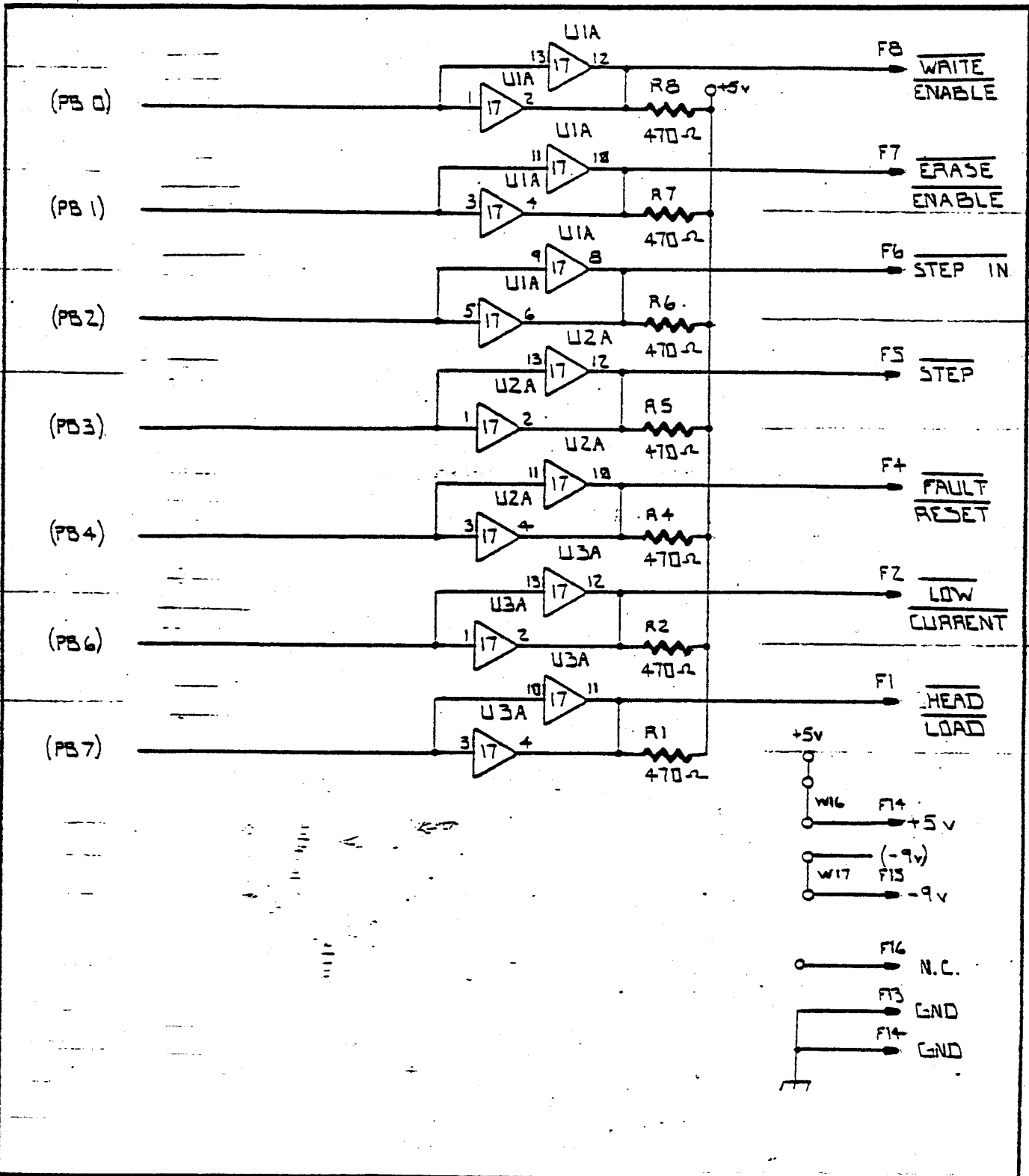
date 27 JUL 1979	revision	page	status	sheet 1 of 5
DRAWN ~ J.L.K.				



<b>OHIO SCIENTIFIC</b>		product name/number MODEL 470 SINGLE SIDED FLOPPY INTERFACE	
date 27 JUL 1979	revision	page	status
DRAWN ~ J.L.K.			sheet 2 of 5



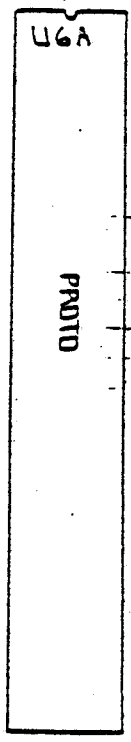
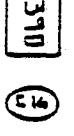
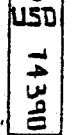
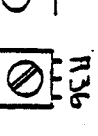
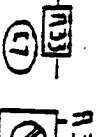
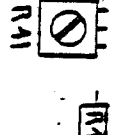
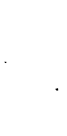
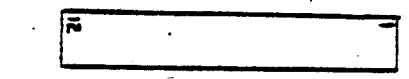
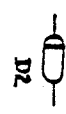
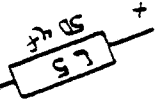
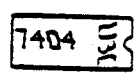
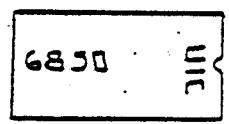
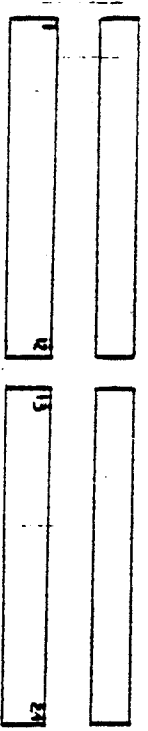
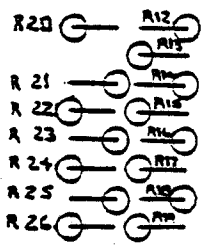
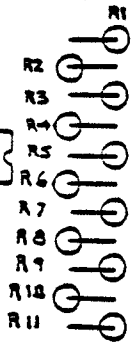
<b>OHIO SCIENTIFIC</b>			product name/number MODEL 470	
			SINGLE SIDED FLOPPY INTERFACE	
date 27 JUL 1979	revision	page	status	sheet 3 of 5
DRAWN ~ J.L.K.				



<b>OHIO SCIENTIFIC</b>			product name/number MODEL 470	
			SINGLE SIDED FLOPPY INTERFACE	
date 27 JUL 1979	revision	page	status	sheet 4 of 5
DRAWN - J.L.K.				



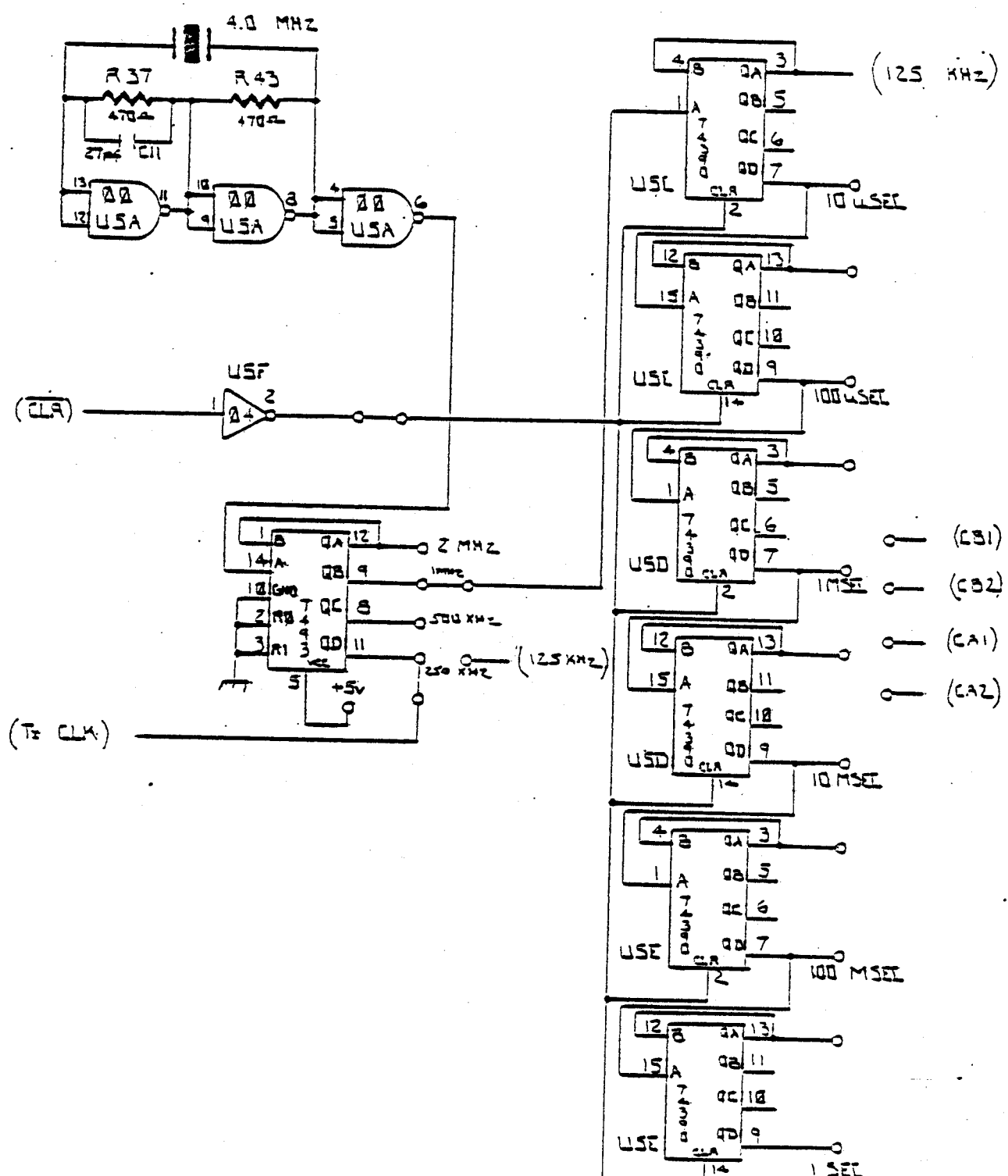
DS1 A70 REV B  
 SINGLE SIDED FLOPPY INTERFACE ASSEMBLY DRAWING D1







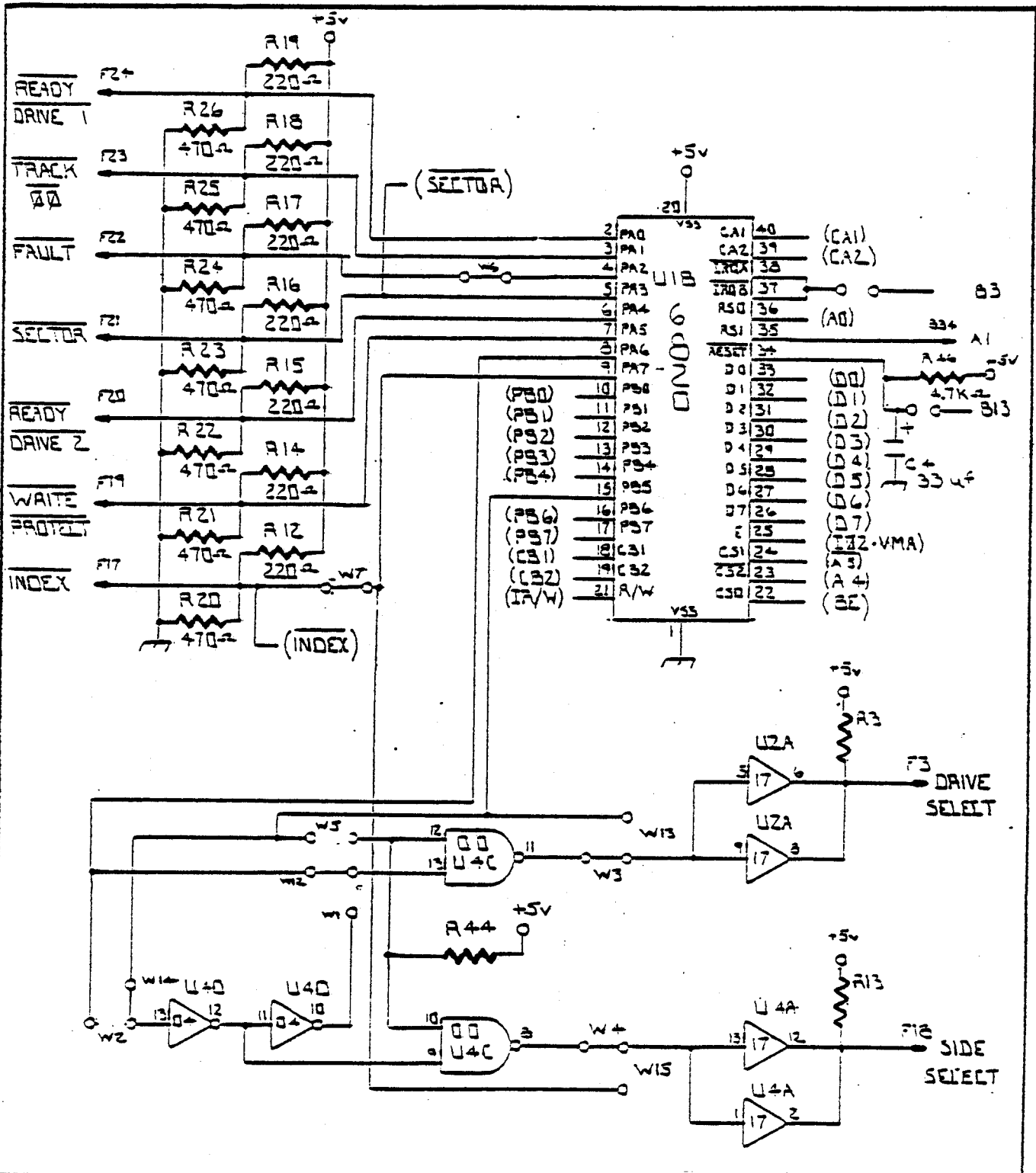




**OHIO SCIENTIFIC**

product name/number MODEL 470  
DUAL SIDED FLOPPY INTERFACE

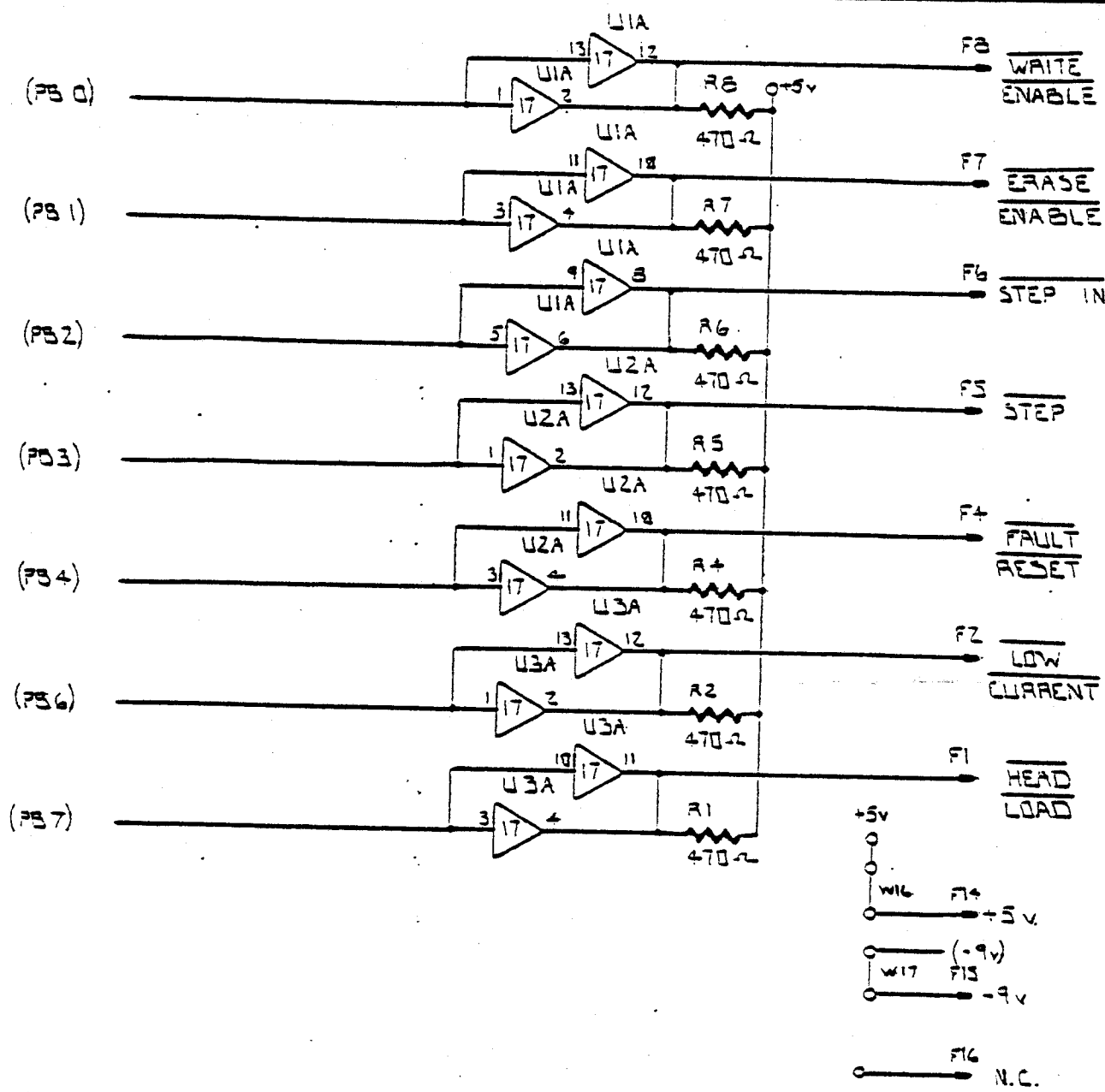
date 27 JUL 1979	revision	page	status	sheet 2 of 5
DRAWN ~ L.L.K.				



**OHIO SCIENTIFIC**

product name/number MODEL 470  
 DUAL-SIDED FLOPPY INTERFACE

date 27 JUL 1979	revision	page	status	sheet 3 of 5
DRAWN ~ J.L.K.				



**OHIO SCIENTIFIC**

product name/number MODEL 470  
DUAL SIDED FLOPPY INTERFACE

date 27 JUL 1979

revision

page

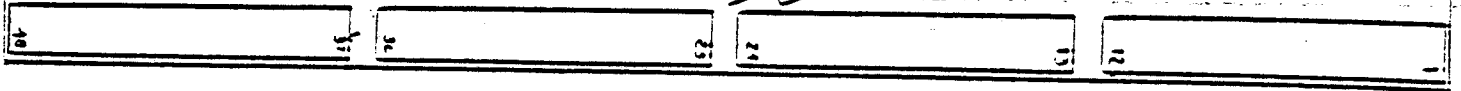
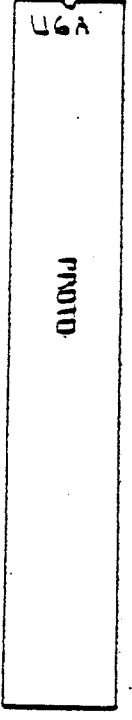
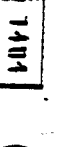
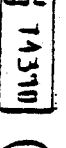
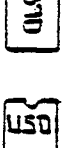
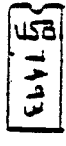
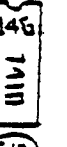
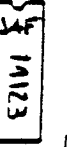
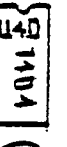
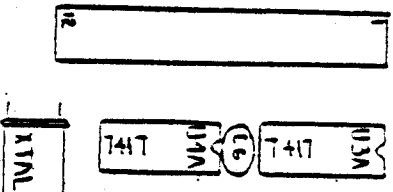
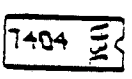
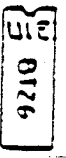
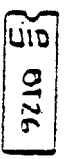
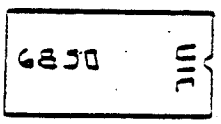
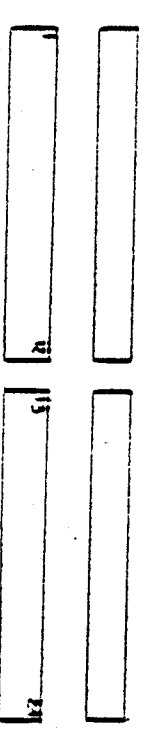
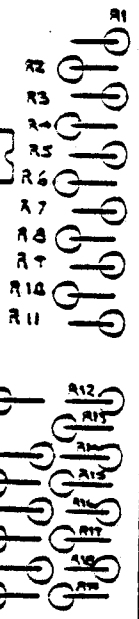
status

sheet 4 of 5

DRAWN - J.L.K.

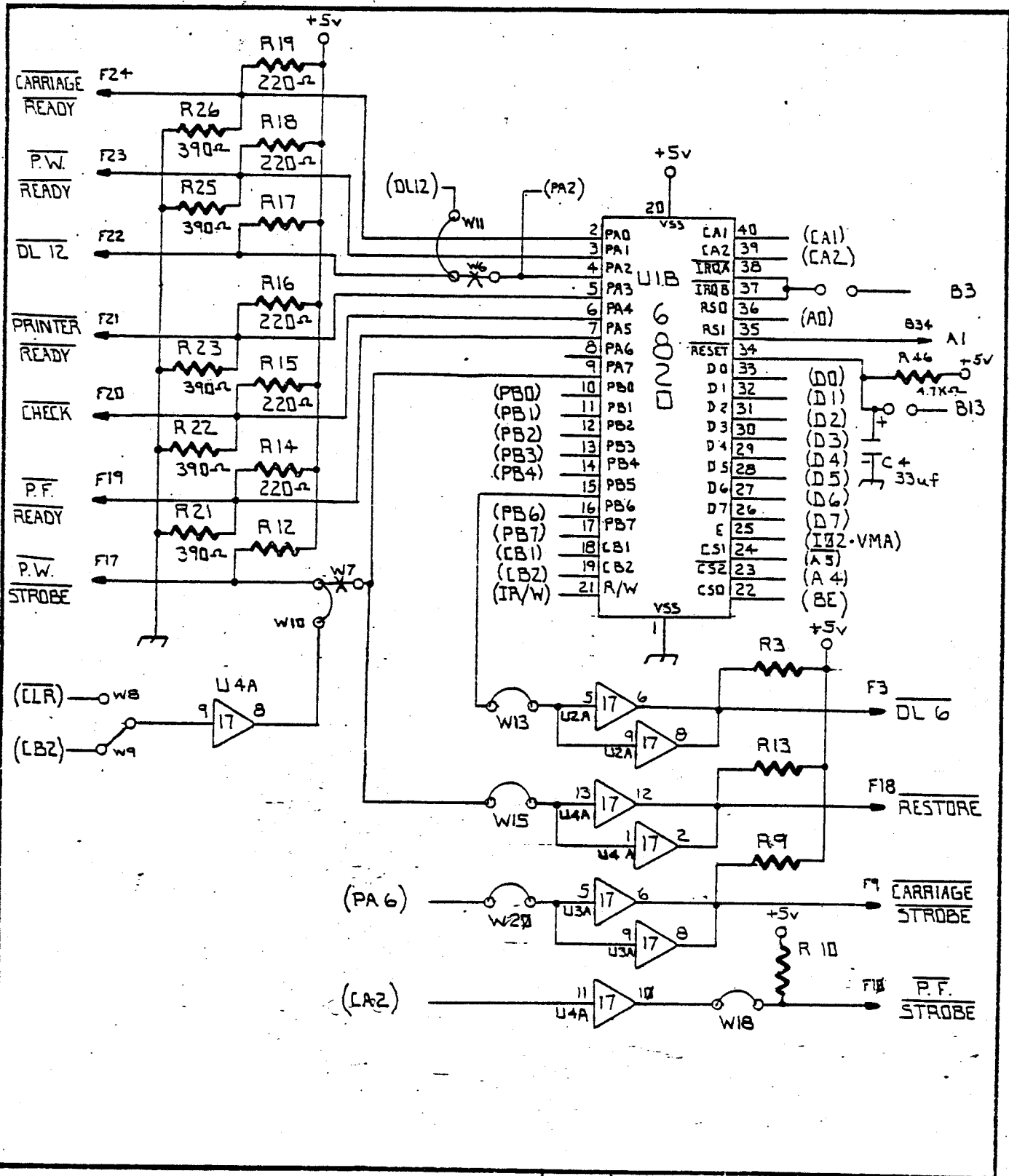


051 470 REV B  
 DUAL SIDED FLIPPY INTERNAL ASSEMBLY DRAWING, BI









**OHIO SCIENTIFIC**

product name/number  
 NEC PRINTER INTERFALE MODEL 470

date 26 JUL 1979

revision

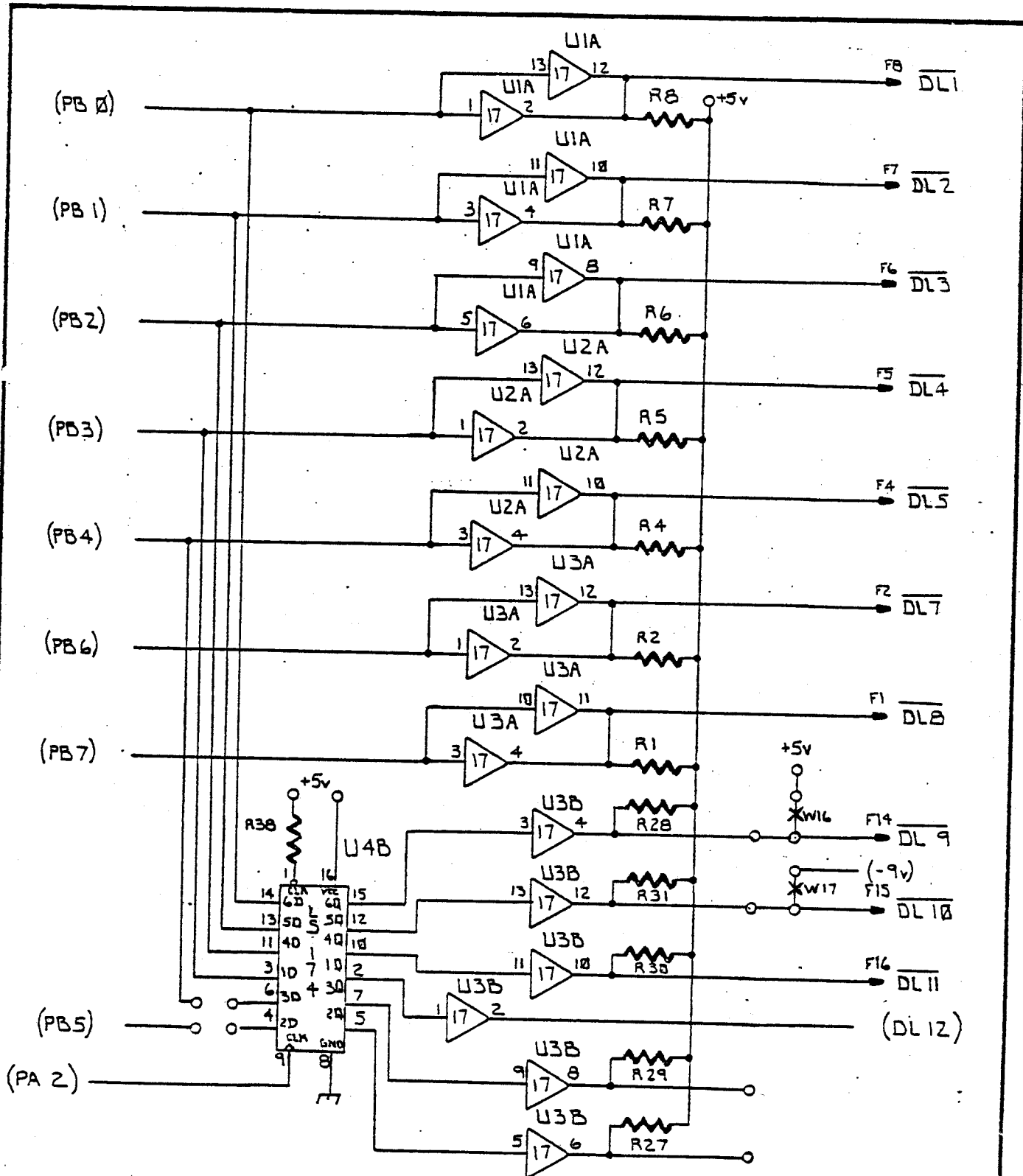
page

status

sheet 2 of 3

DRAWN ~ J.L.K.





**OHIO SCIENTIFIC**

product name/number  
 NEL PRINTER INTERFACE MODEL 470

date 26 JUL 1979

revision

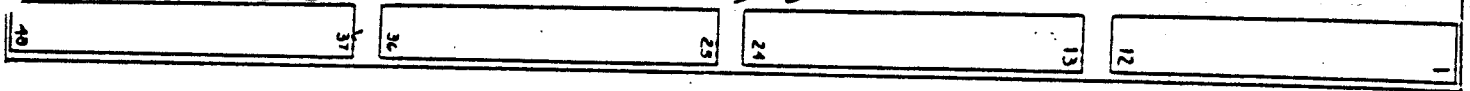
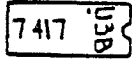
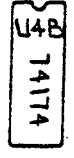
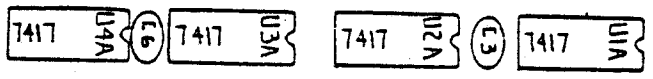
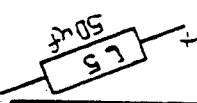
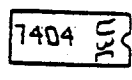
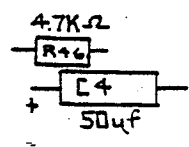
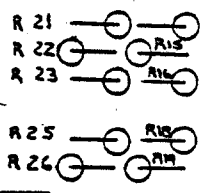
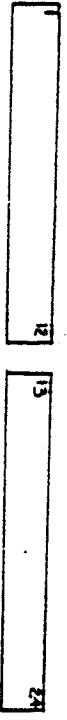
page

status

sheet 3 of 3

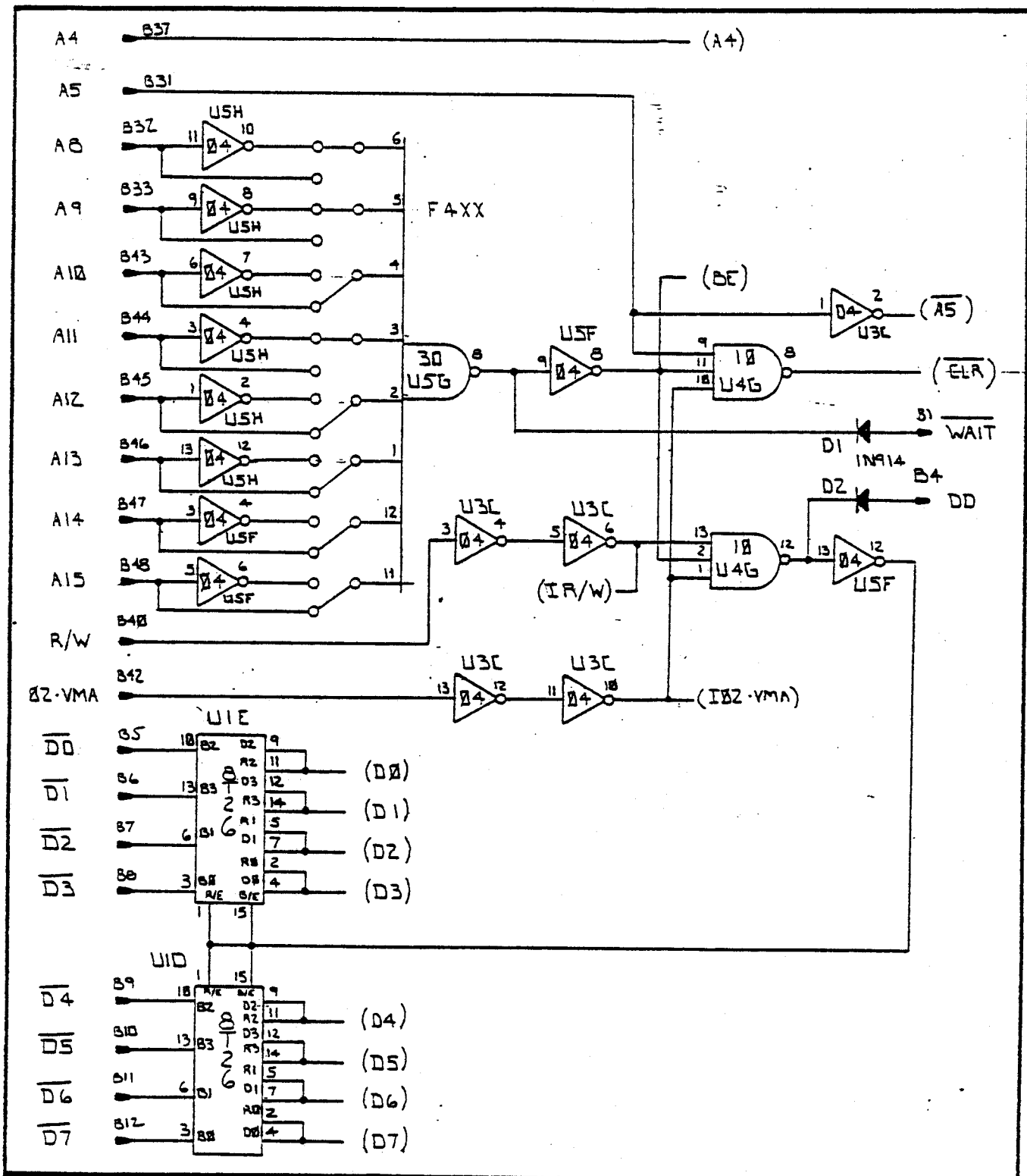
DRAWN - J.L.K.

DS1 470 REV B  
 NEL PRINTER INTERFACE ASSEMBLY DRAWING

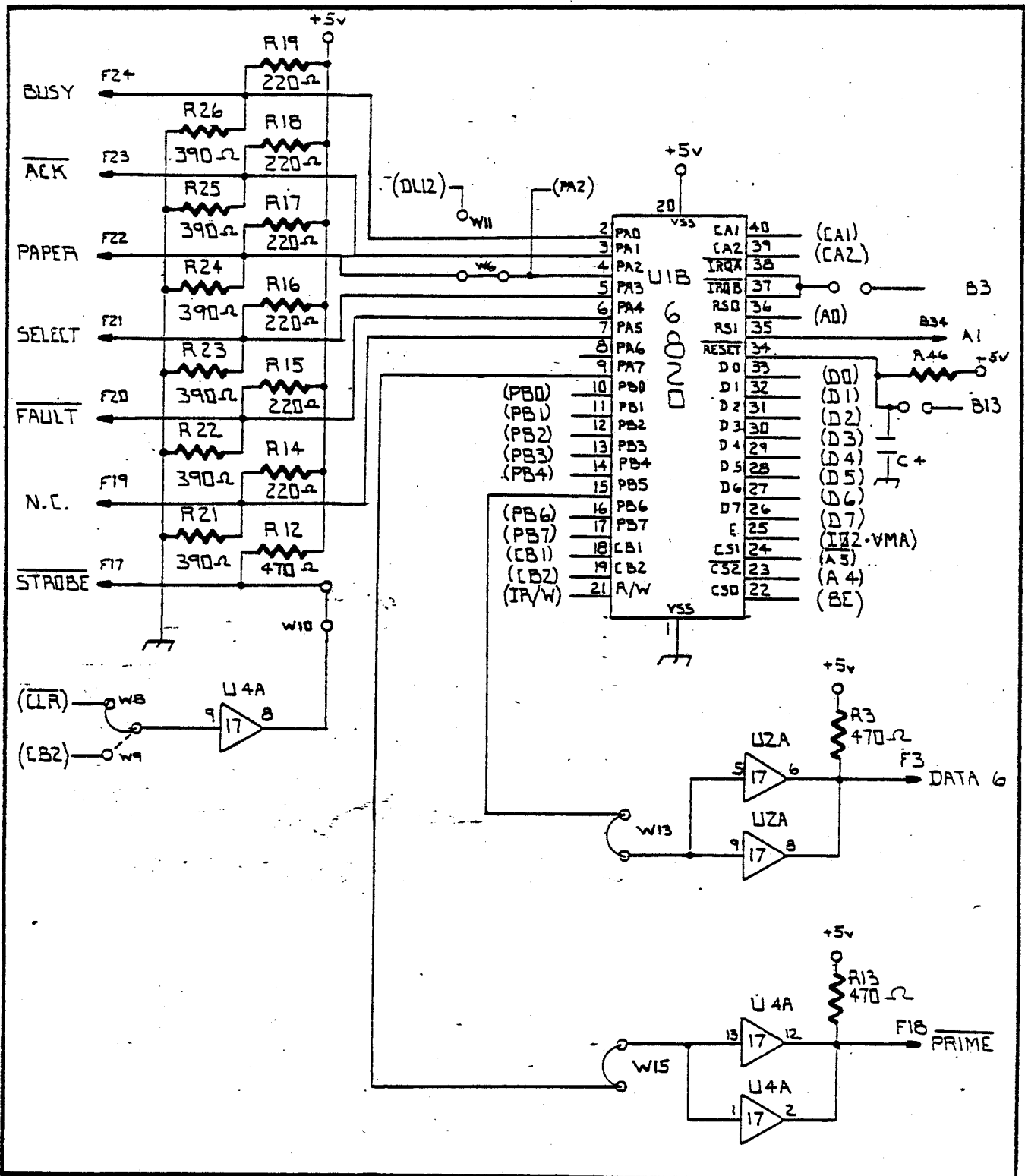


LINE PRINTER INTERFACE MANUAL

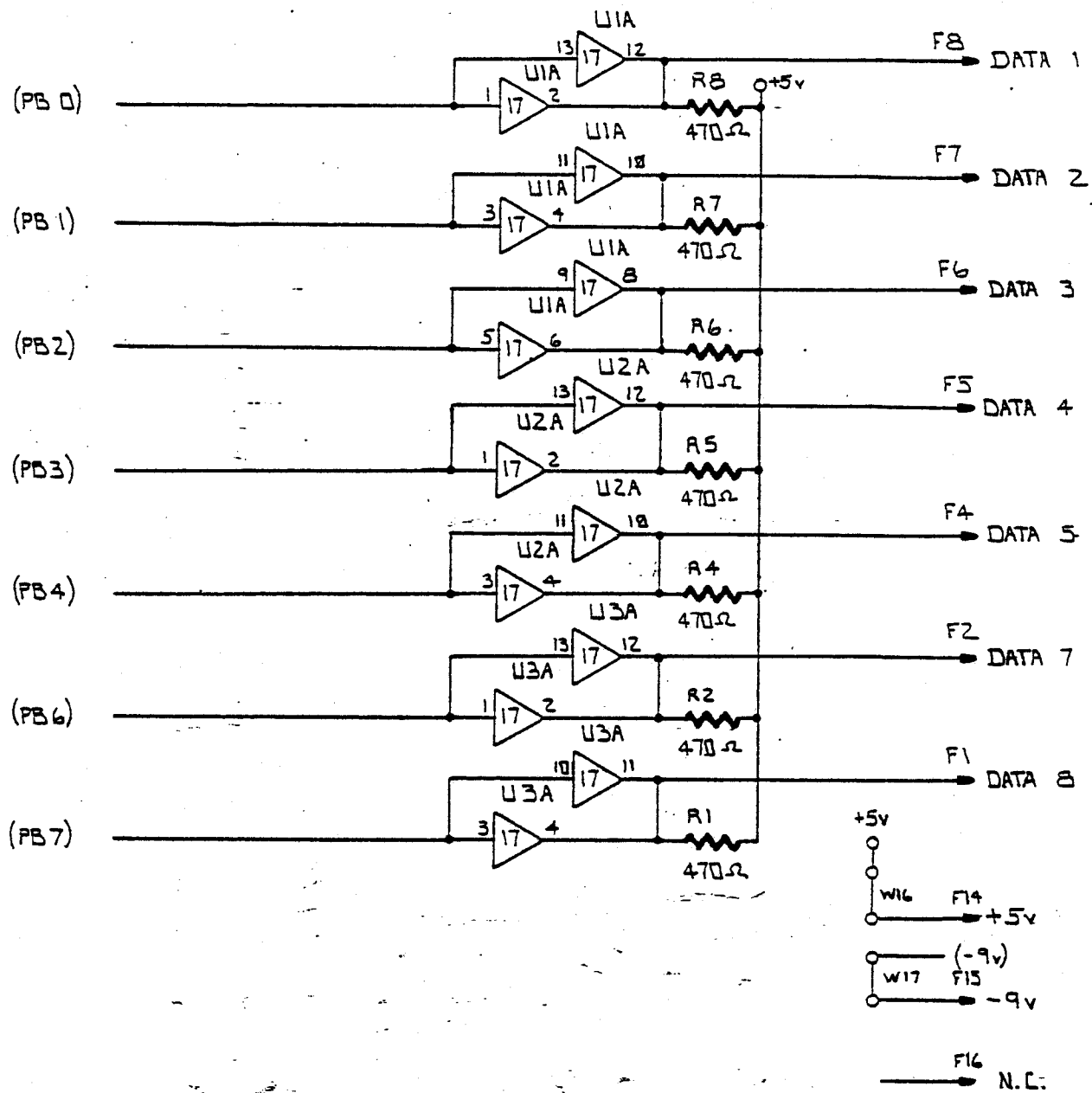
REV B	26 SEP 1979



<b>OHIO SCIENTIFIC</b>			product name/number MODEL 470 CENTRONICS PRINTER INTERFACE	
date 27 JUL 1979	revision	page	status	sheet 1 of 3
DRAWN ~ J.L.K.				



<b>OHIO SCIENTIFIC</b>			product name/number MODEL 470 CENTRONICS PRINTER INTERFACE	
date 27 JUL 1979	revision	page	status	sheet 2 of 3
DRAWN ~ J.L.K.				



**OHIO SCIENTIFIC**

product name/number MODEL 470  
CENTRONICS PRINTER INTERFACE

date 27 JUL 1979

revision

page

status

sheet 3 of 3

DRAWN - J.L.K.

051 470 REV B  
CENTRONICS PRINTER INTERFACE ASSEMBLY DRAWING

