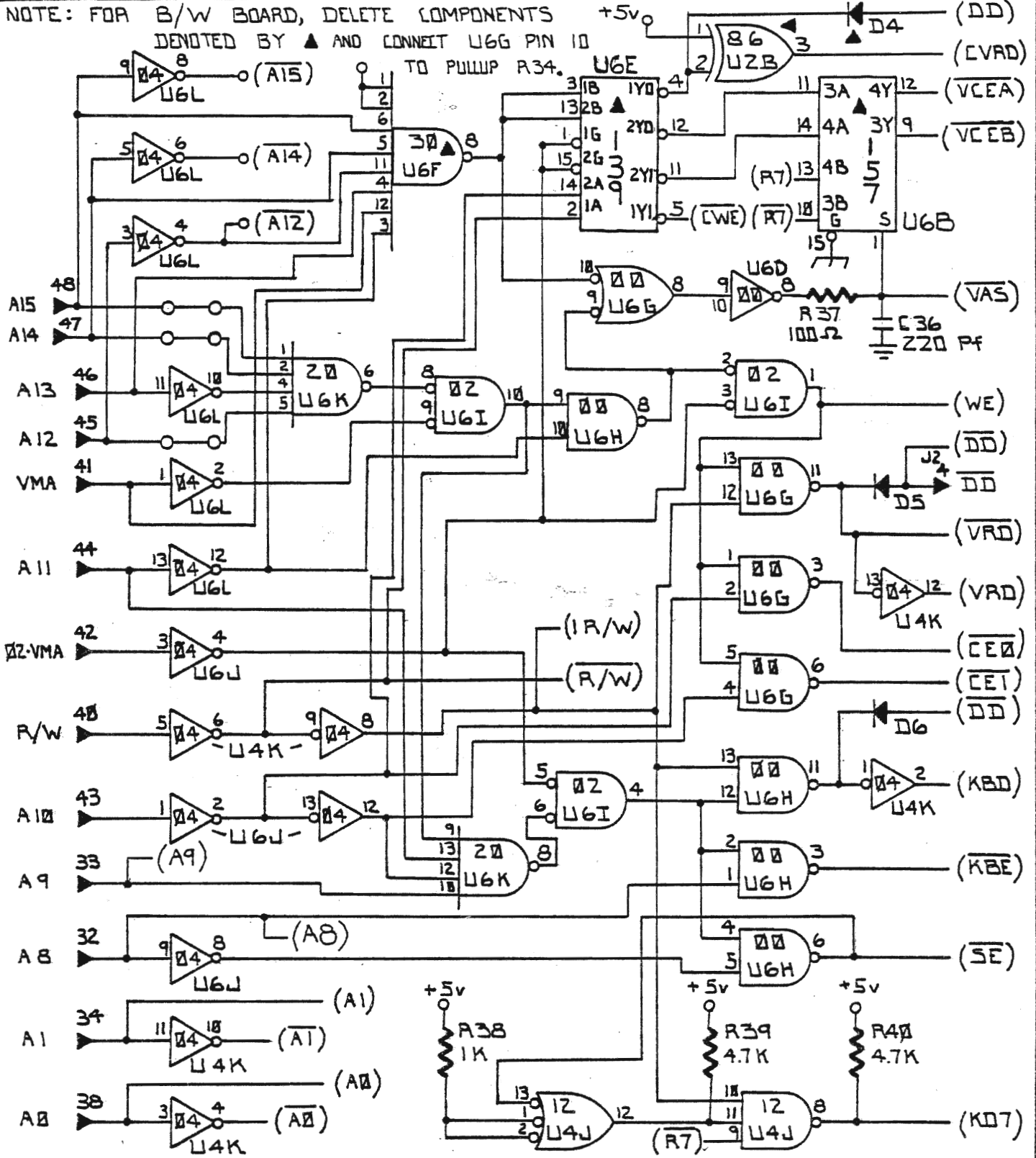


MODEL 540 REV B-1 SCHEMATICS

VIDEO BOARD

| | |
|---------|-------------|
| | |
| | |
| | |
| | |
| REV B-1 | 15 AUG 1979 |

NOTE: FOR B/W BOARD, DELETE COMPONENTS DENOTED BY ▲ AND CONNET U6G PIN 10 TO PULLUP R34.



OHIO SCIENTIFIC

product name/number
 MODEL 540 REV B-1
 ADDRESS DECODER

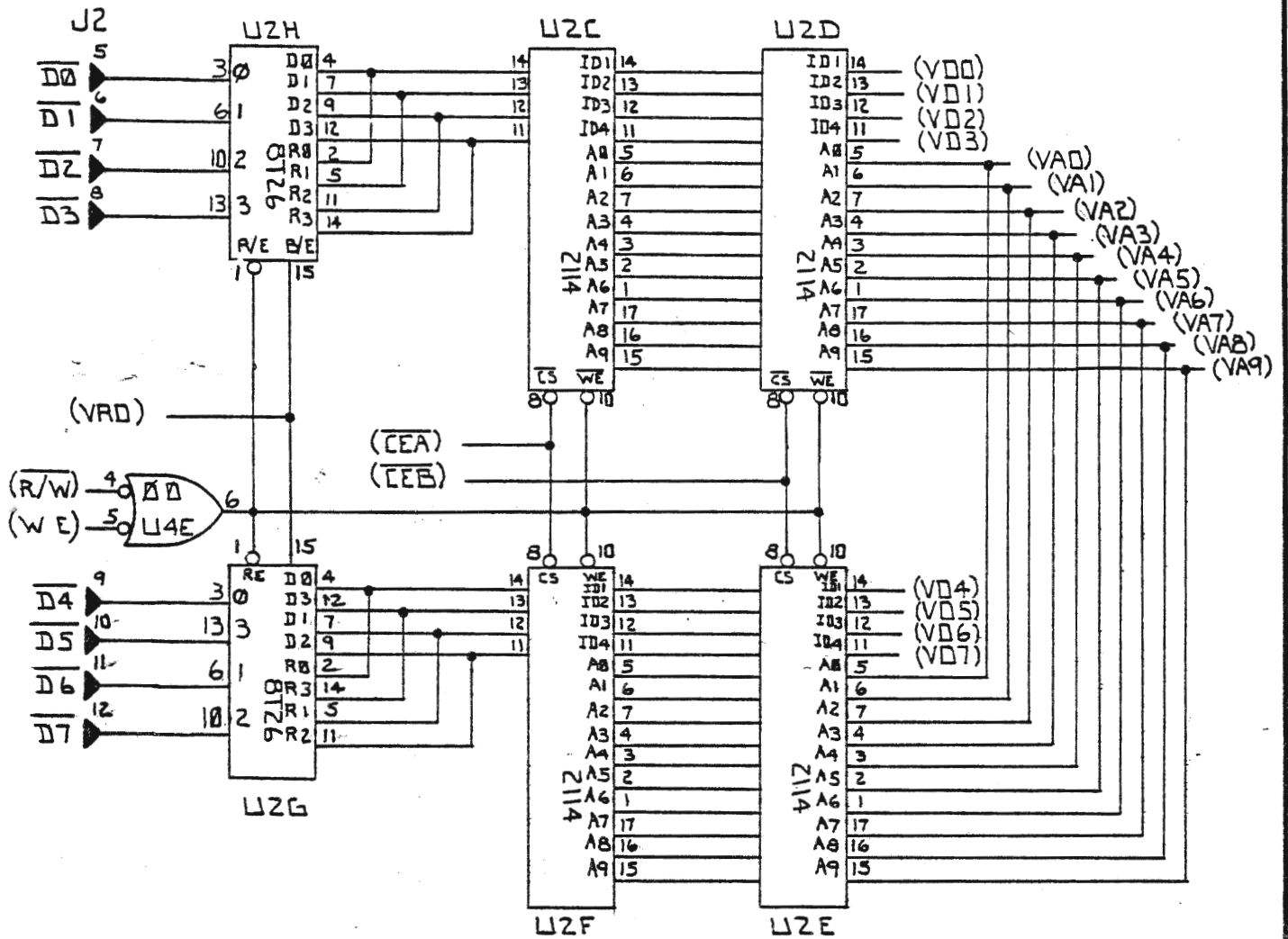
date 15 AUG 1979
 DRAWN~ J.L.K.

revision

page

status

sheet 1 of 8



OHIO SCIENTIFIC

product name/number

MODEL 540 REV B-1

BLACK + WHITE MEMORY

date 15 AUG 1979

revision

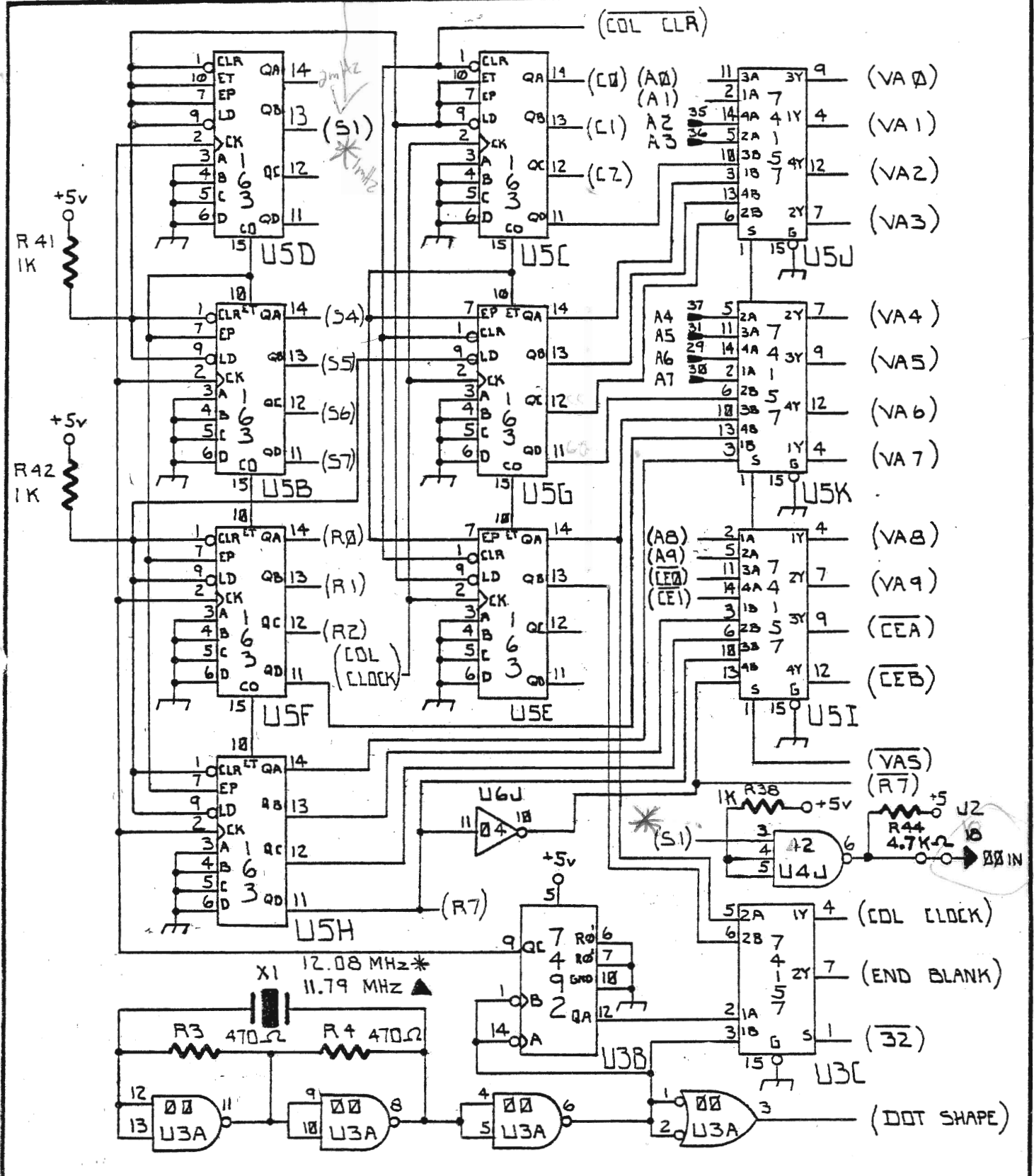
page

status

sheet 2 of 8

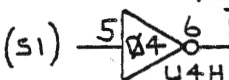
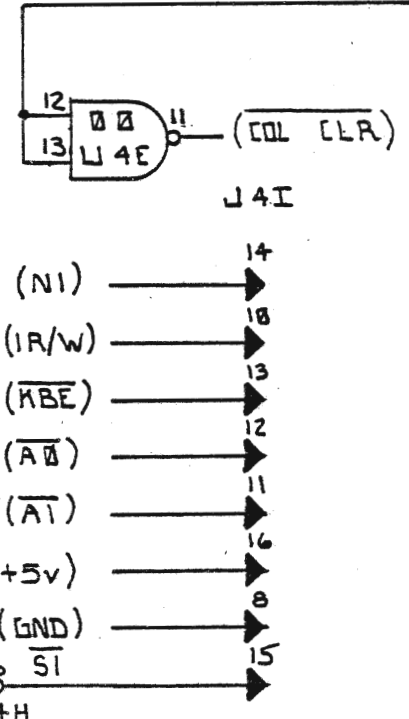
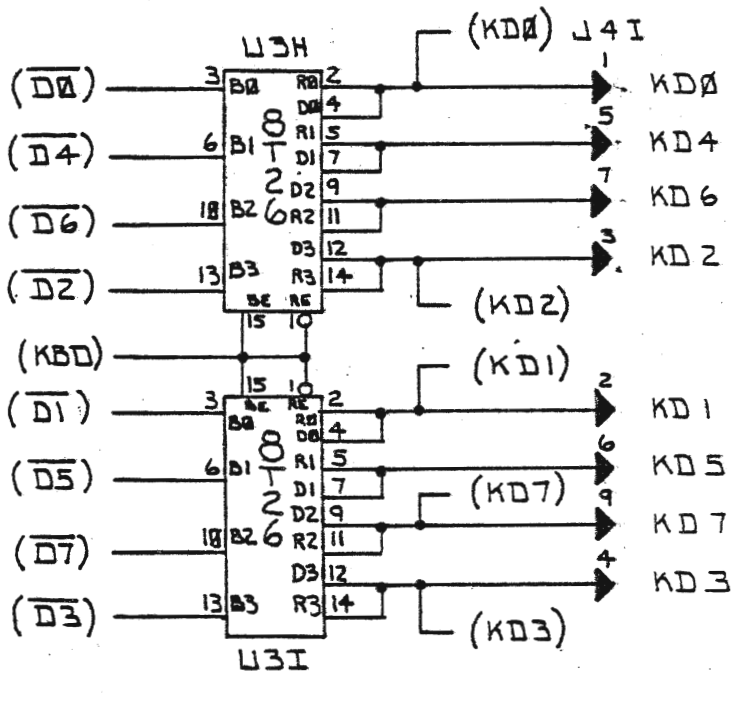
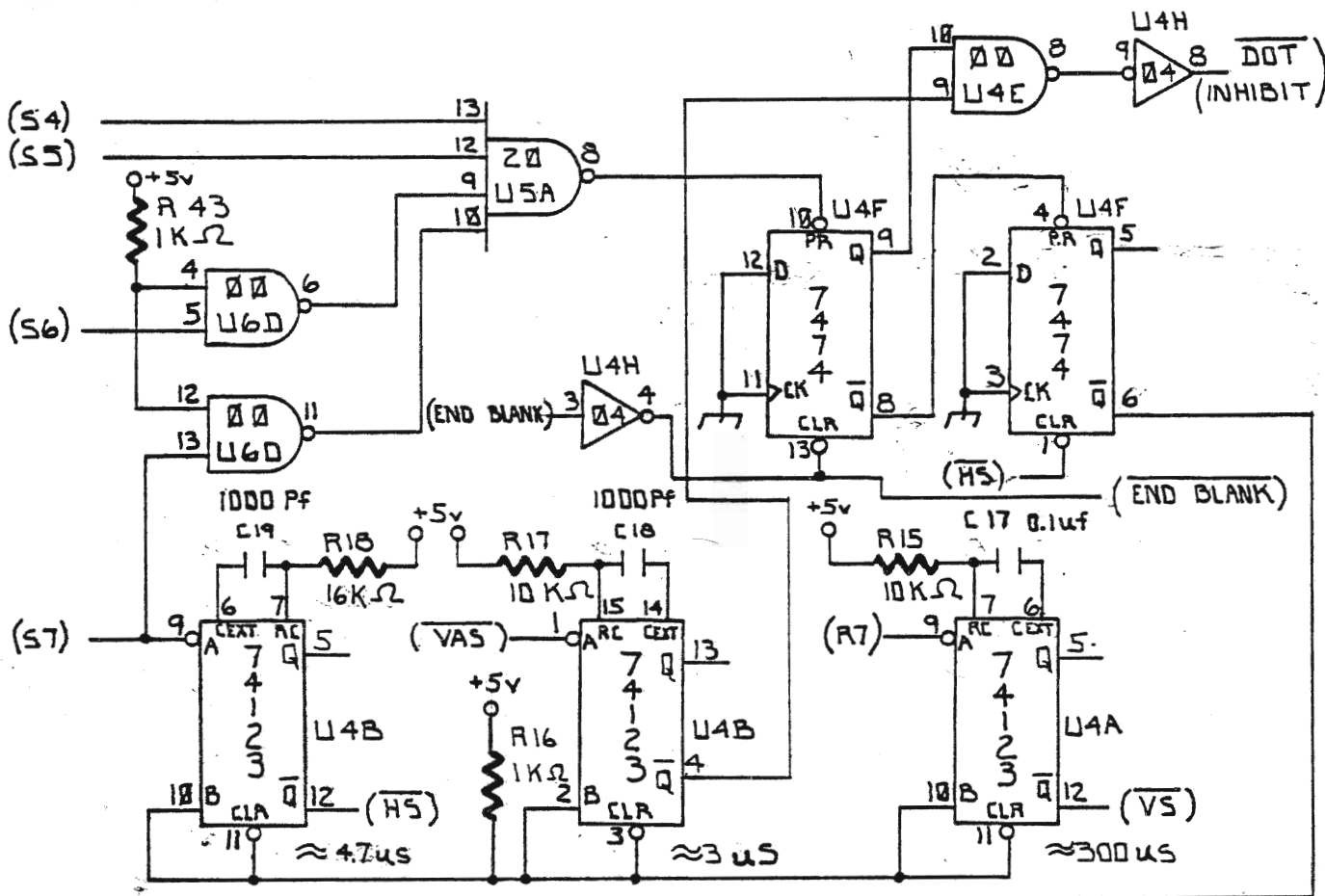
DRAWN ~ J.L.K.

Clock input C1
speed double speed
→ C0



| | | | | |
|------------------------|------|--------|---------------------|--|
| OHIO SCIENTIFIC | | | product name/number | |
| date 15 AUG. 1979 | | | MODEL 540 REV B-1 | |
| DRAWN ~ J.L.K. | | | DISPLAY COUNTERS | |
| revision | page | status | sheet 3 of 8 | |

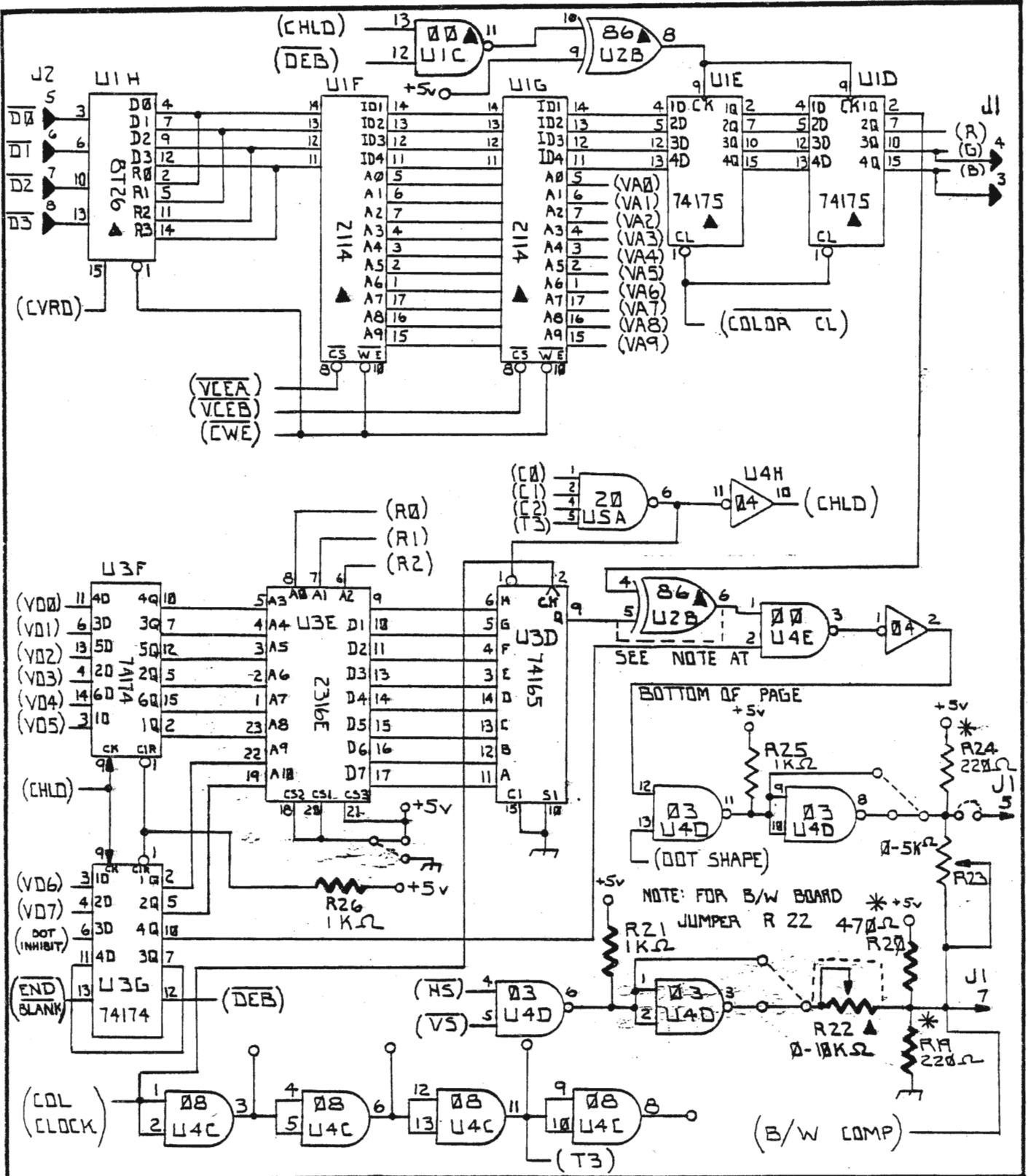
▲ - FOR B/W BOARD ONLY
* - FOR COLOR BOARD ONLY



OHIO SCIENTIFIC

product name/number
 MODEL 540 REV B-1
 DISPLAY TIMING + KEYBOARD BUFFER

| | | | | |
|-------------------------------------|----------|------|--------|--------------|
| date 15 AUG. 1979 DRAWN ~ J.L.K. | revision | page | status | sheet 4 of 8 |
|-------------------------------------|----------|------|--------|--------------|



OHIO SCIENTIFIC

product name/number
 MODEL 540 REV B-1
 COLOR MEMORY + CHARACTER OUTPUT

date 15 AUG 1979
 DRAWN ~ J.L.K.

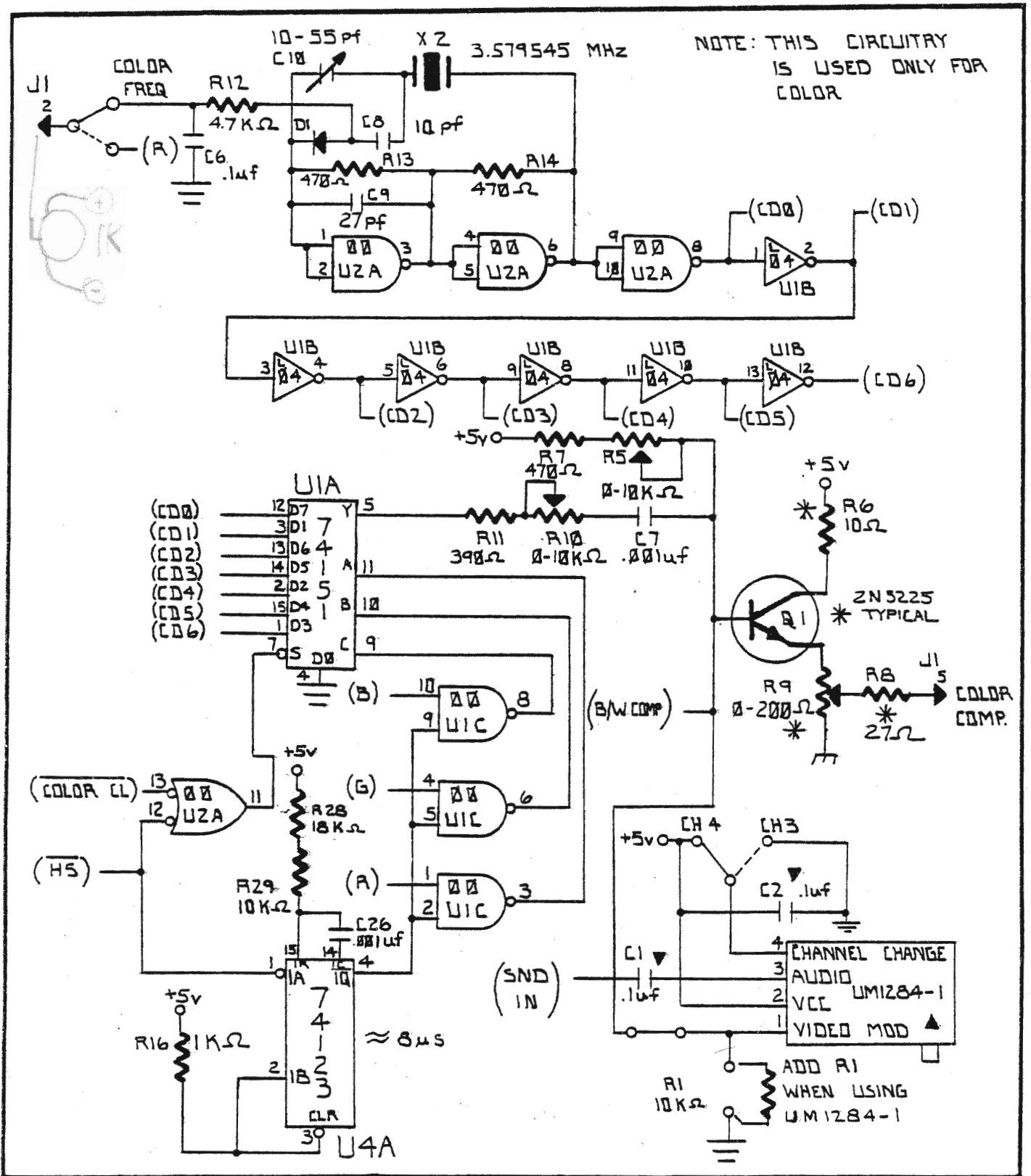
revision

page

status

sheet 5 of 8

NOTE: FOR B/W BOARD, DELETE COMPONENTS DENOTED WITH ▲ AND JUMPER U2B PIN 5 TO PIN 6
 FOR COLOR BOARD, DELETE COMPONENTS DENOTED WITH *.



OHIO SCIENTIFIC

product name/number

MODEL 540 REV B-1
COLOR OUTPUT

date 15 AUG 1979

revision

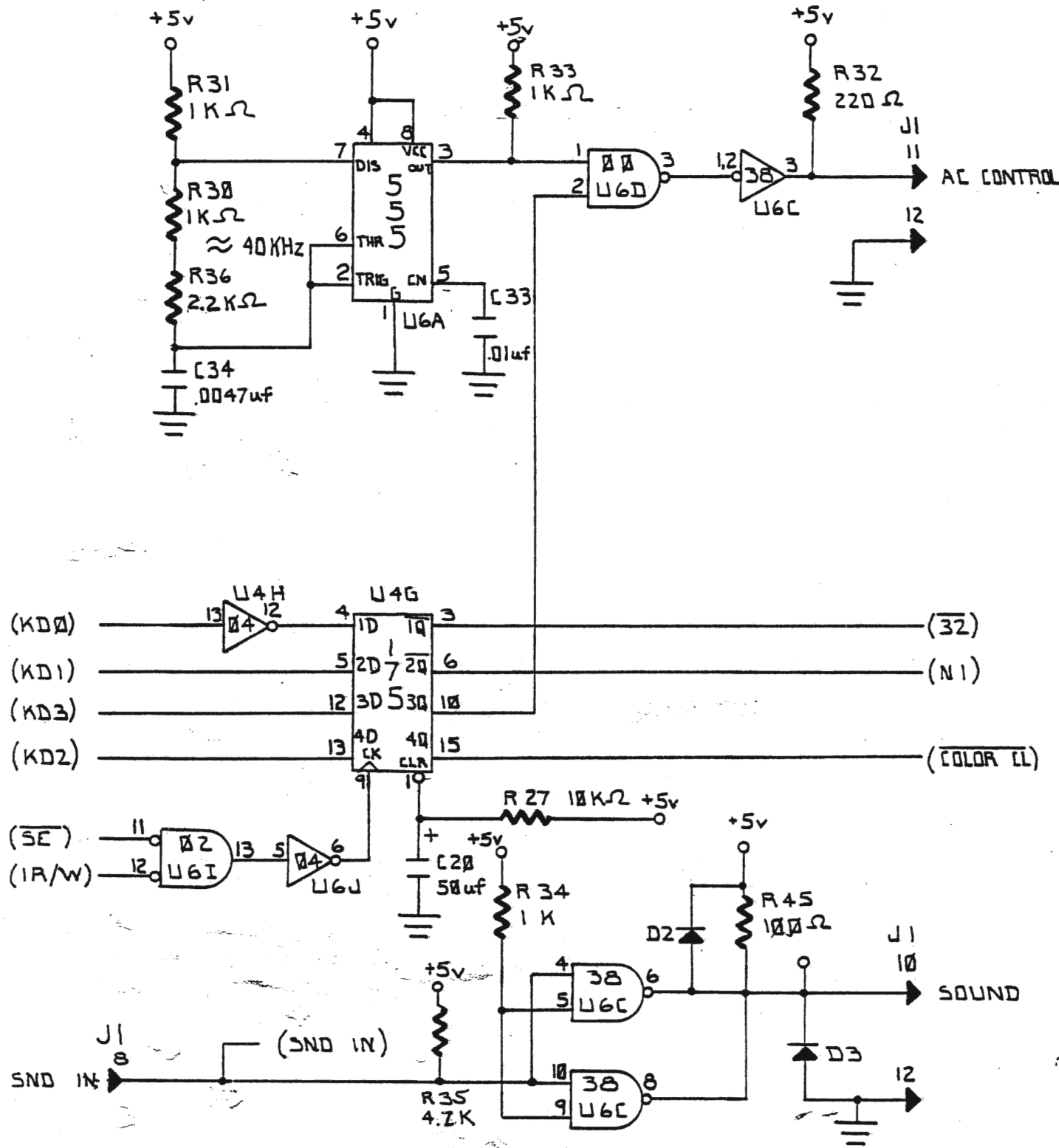
page

status

sheet 6 of 8

DRAWN ~ J.L.K.

NOTE: DELETE COMPONENTS DENOTED WITH ▲ WHEN USING UHF CONVERTER
DELETE COMPONENTS DENOTED WITH * WHEN USING VHF MODULATOR



OHIO SCIENTIFIC

product name/number

MODEL 540 REV B-1

A.C. CONTROL

date 15 AUG 1979

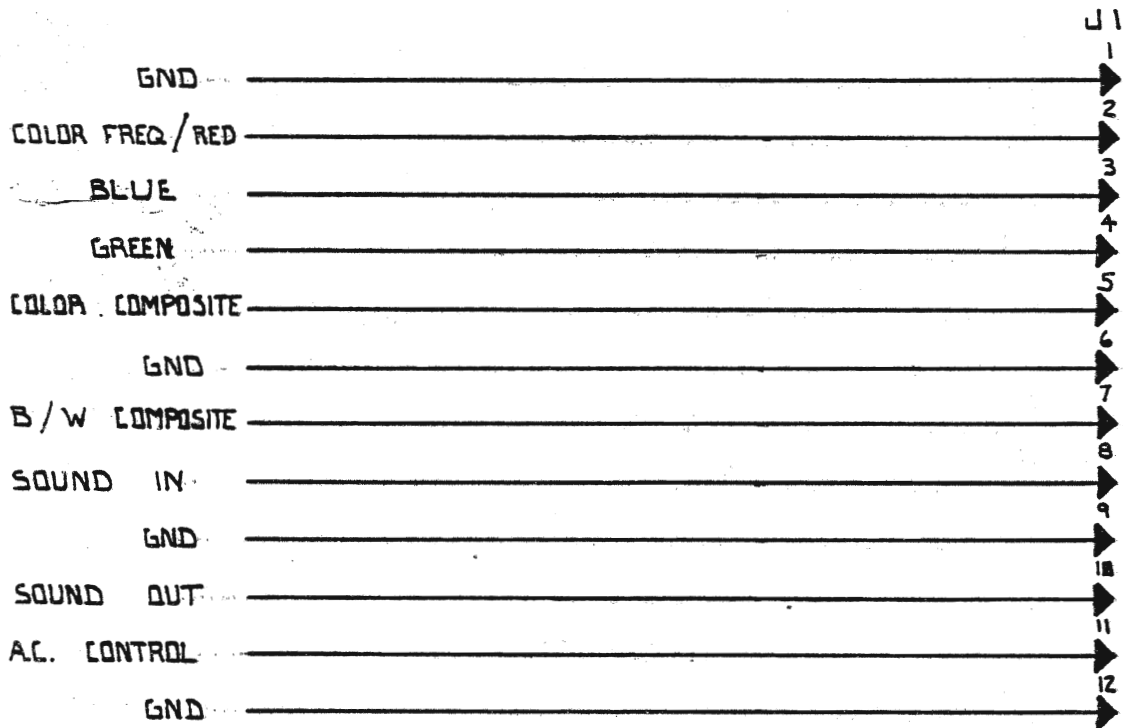
revision

page

status

sheet 7 of 8

DRAWN ~ J.L.K.



NOTE: ALL DIODES ARE TYPICAL 1N914

| | | | |
|------------------------------------|----------|---------------------------------------|--------|
| OHIO SCIENTIFIC | | product name/number | |
| | | MODEL 540 REV B-1 OUTPUT CONNECTOR | |
| date 15-AUG-1979 DRAWN ~ J.L.K. | revision | page | status |
| | | sheet 8 of 8 | |