

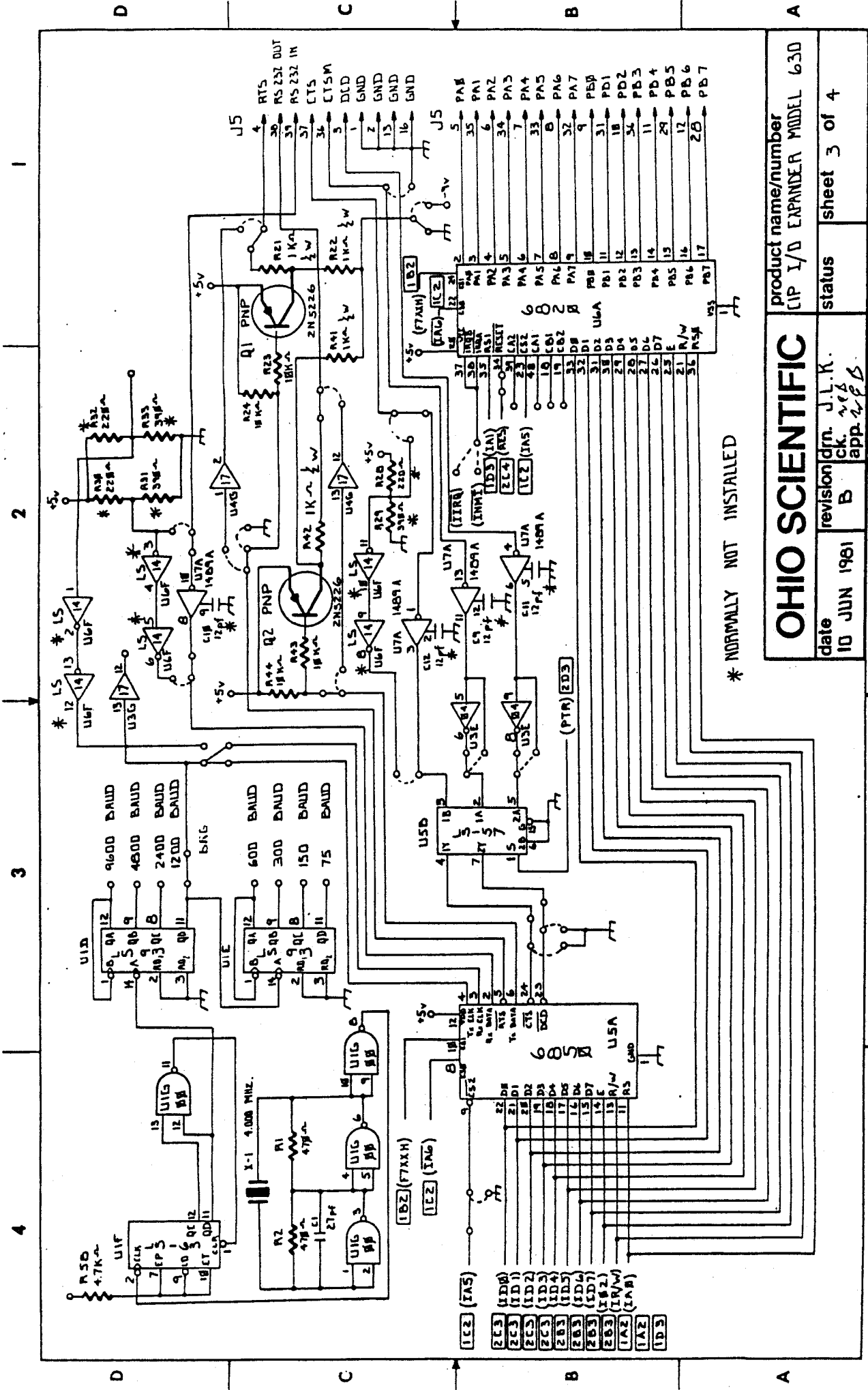
# OHIO SCIENTIFIC

product name/number  
I/O EXPANDER MODEL 630

date 10 JUN 1981	revision JLK	status sheet 1 of 4
ID JUN 1981		app. <i>ra/ell</i>

NOTE - 8715'S (U1A, U1B AND U2C) HAVE PINS 1-15 UNWIRDED.

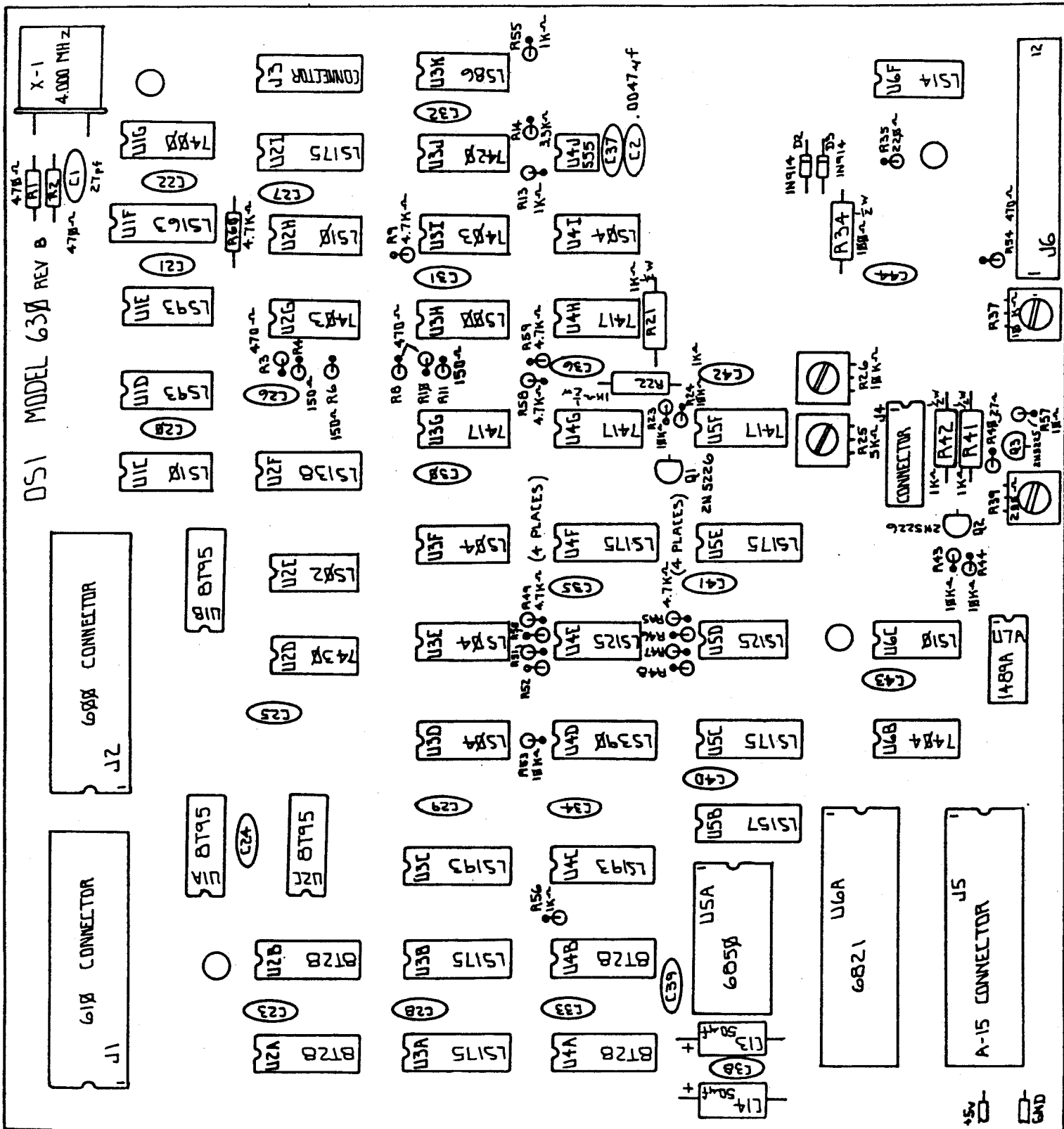




\* NORMALLY NOT INSTALLED

<b>OHIO SCIENTIFIC</b>		product name/number CIP I/O EXPANDER MODEL 630	
date 10 JUN 1981	revision/drn. B	status sheet 3 of 4	ck. app. J.L.K.





C20-C44 ARE .1μf BYPASS CAPACITORS  
 630 REV B 10 JUN 1981