

OHIO SCIENTIFIC

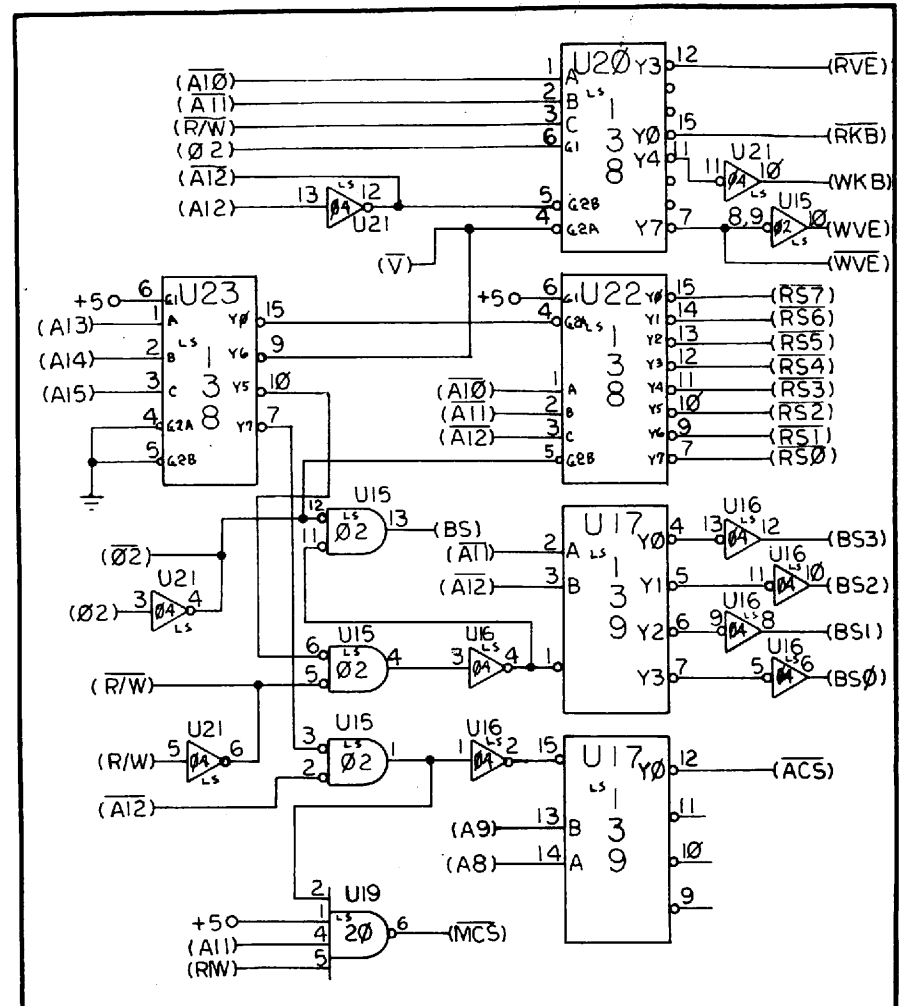
product name/number
SUPER BOARD 2 600

date
5 SEP 1978

revision
B

page

status sheet 1 of 13



OHIO SCIENTIFIC

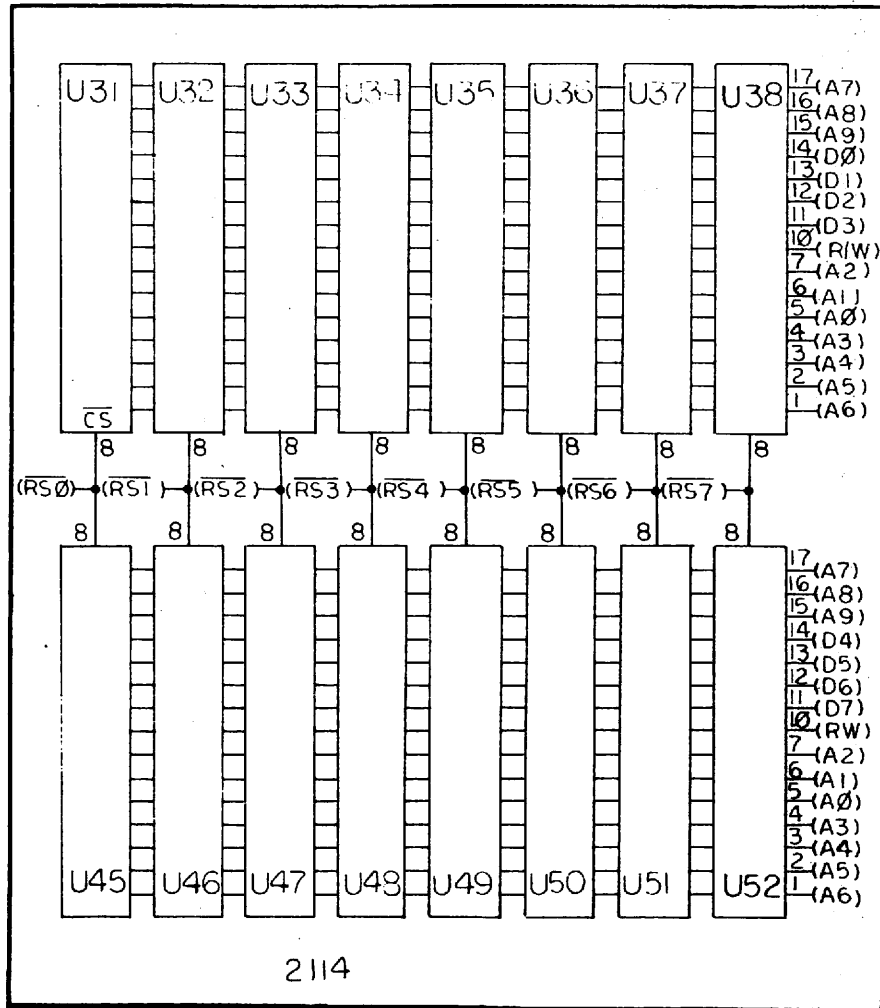
product name/number

date
5 SEP 1978

revision
B

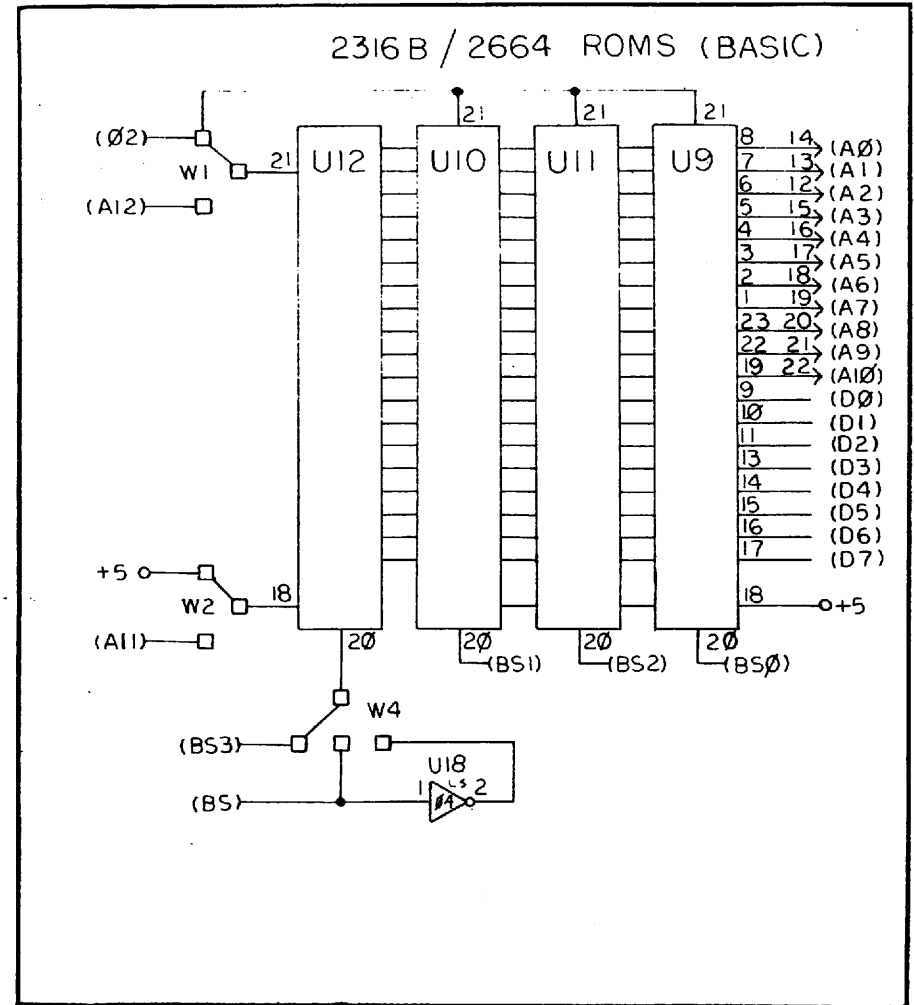
page

status sheet 2 of 13



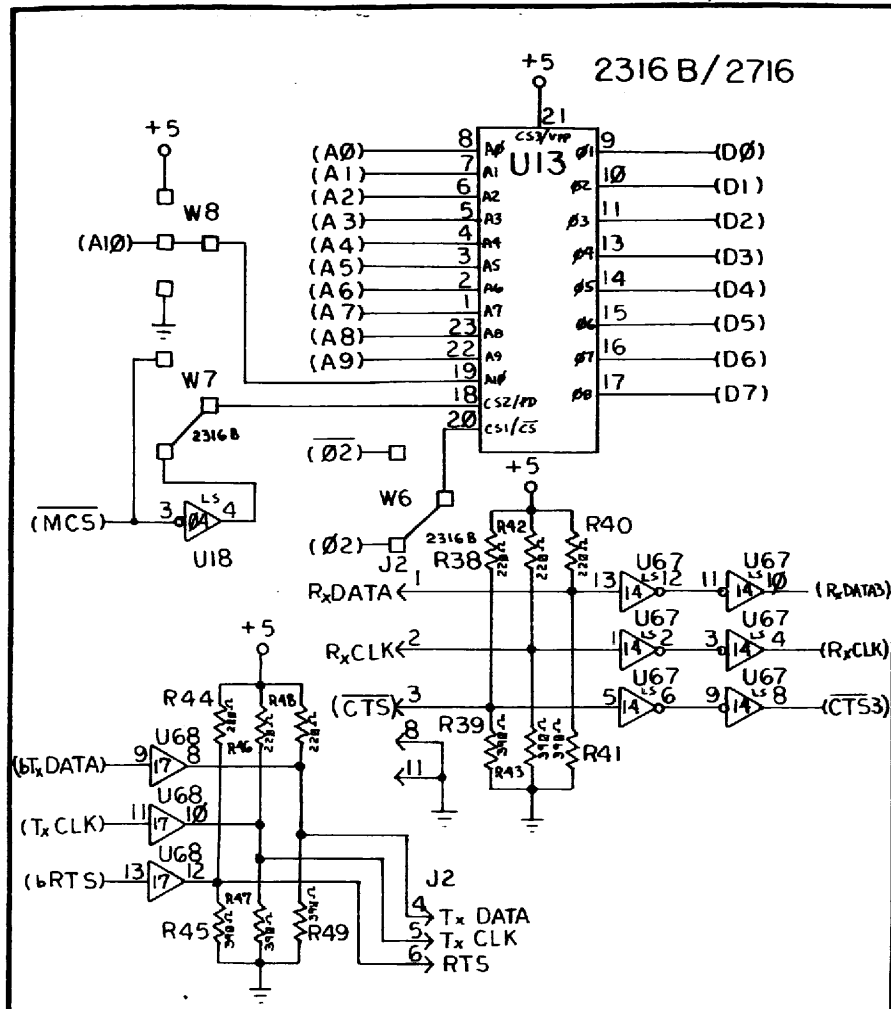
2114

OHIO SCIENTIFIC		product name/number	
date 5 SEP 1978	revision B	page	status sheet 3 of 13



2316 B / 2664 ROMS (BASIC)

OHIO SCIENTIFIC		product name/number	
date 5 SEP 1978	revision B	page	status sheet 4 of 13



OHIO SCIENTIFIC

product name/number

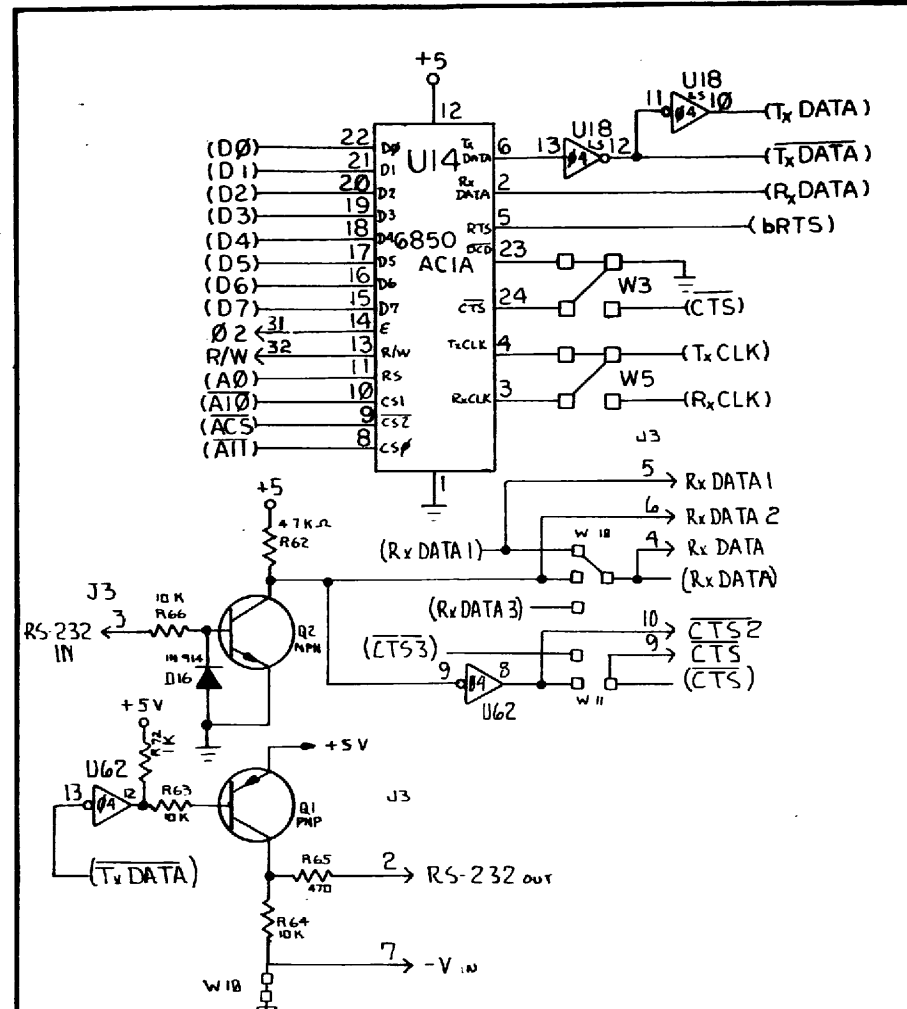
date
5 SEP 1978

revision
B

page

status

sheet 5 of 13



OHIO SCIENTIFIC

product name/number

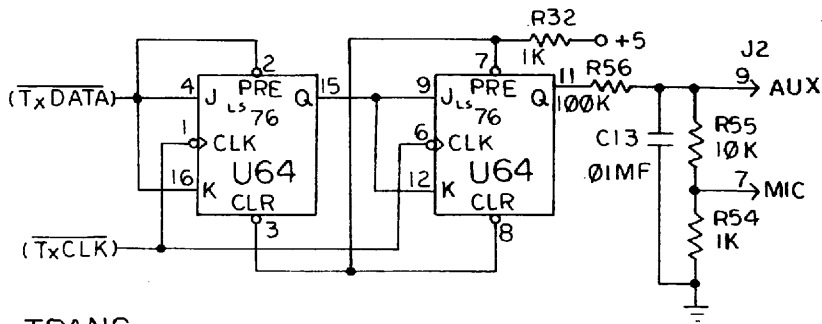
date
5 SEP 1978

revision
B

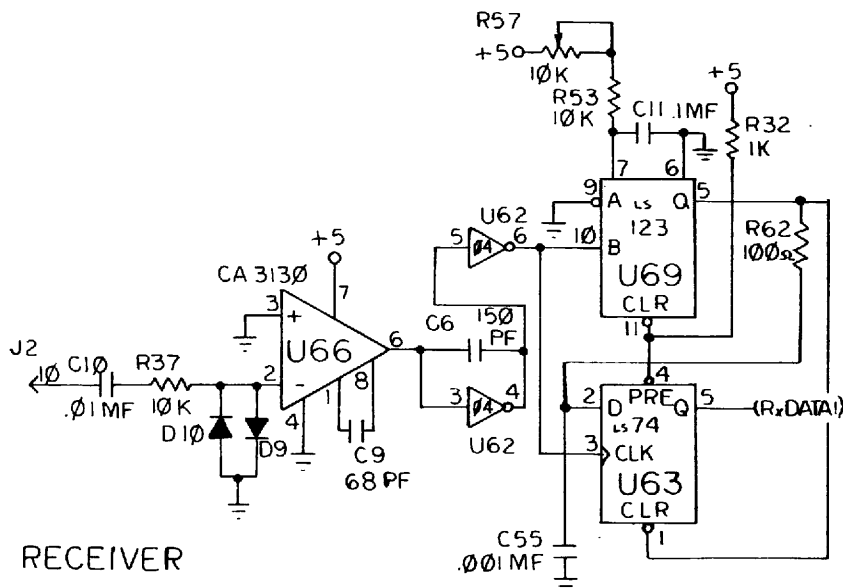
page

status

sheet 6 of 13



TRANS.



RECEIVER

OHIO SCIENTIFIC

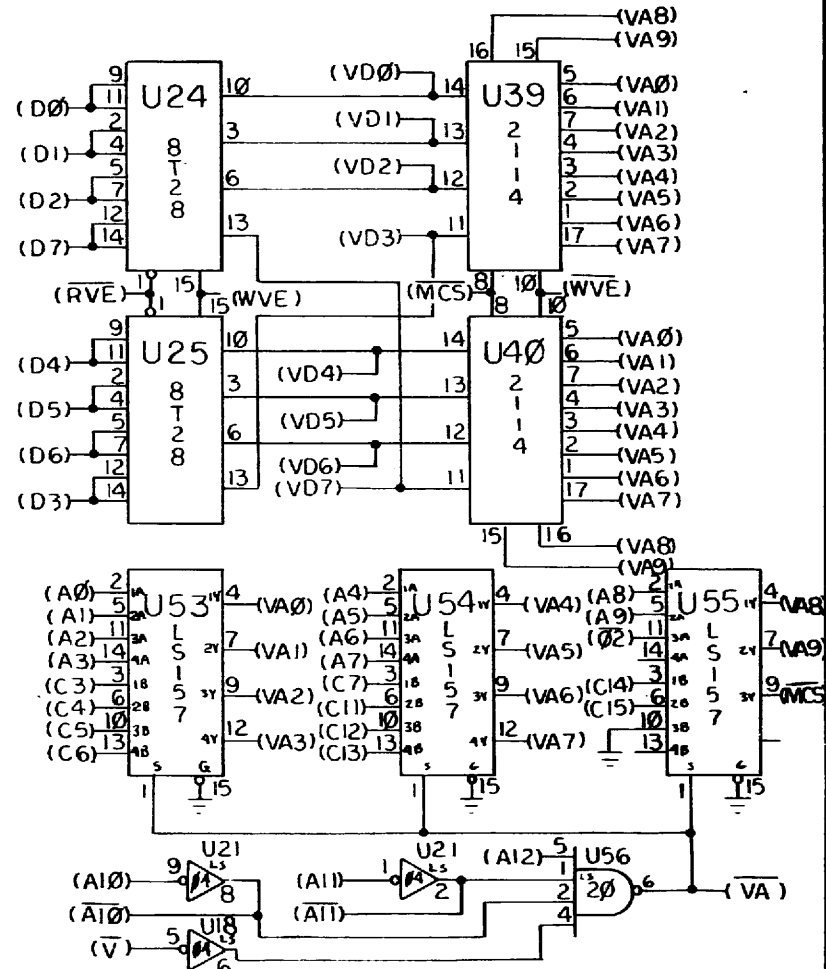
product name/number

date
5 SEP 1978

revision
B

page

status sheet 7 of 13



OHIO SCIENTIFIC

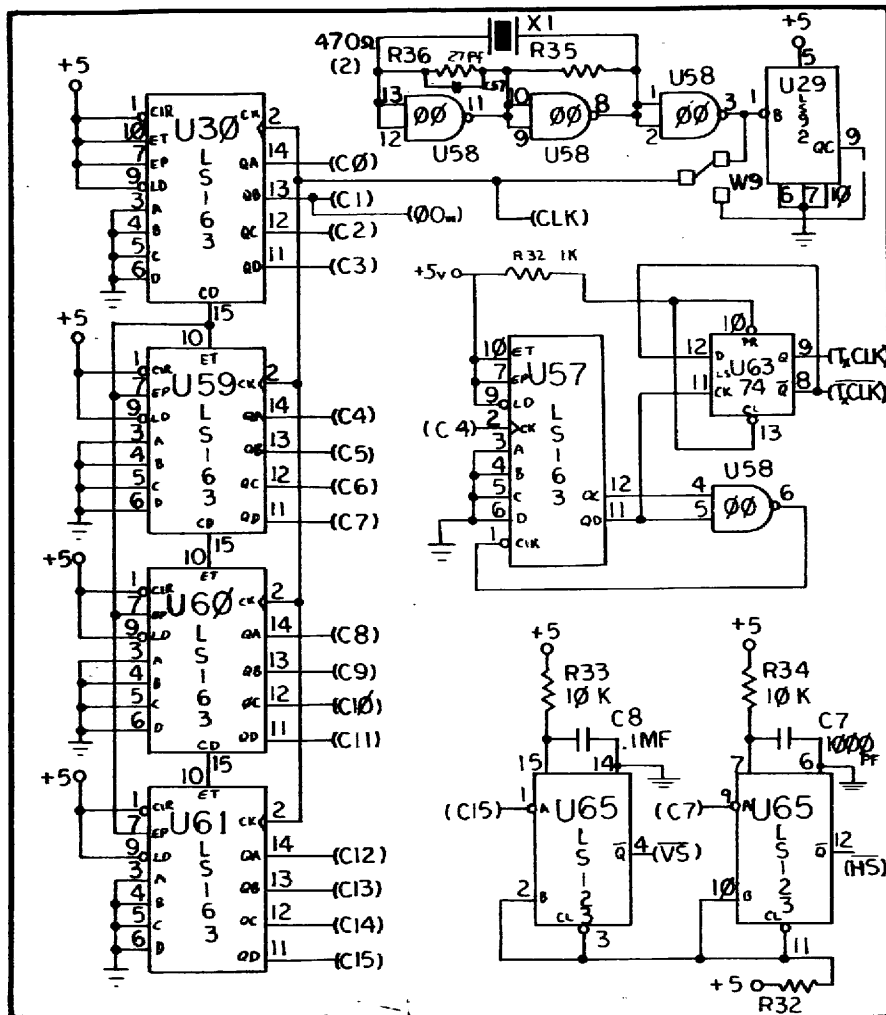
product name/number

date
5 SEP 1978

revision
B

page

status sheet 8 of 13

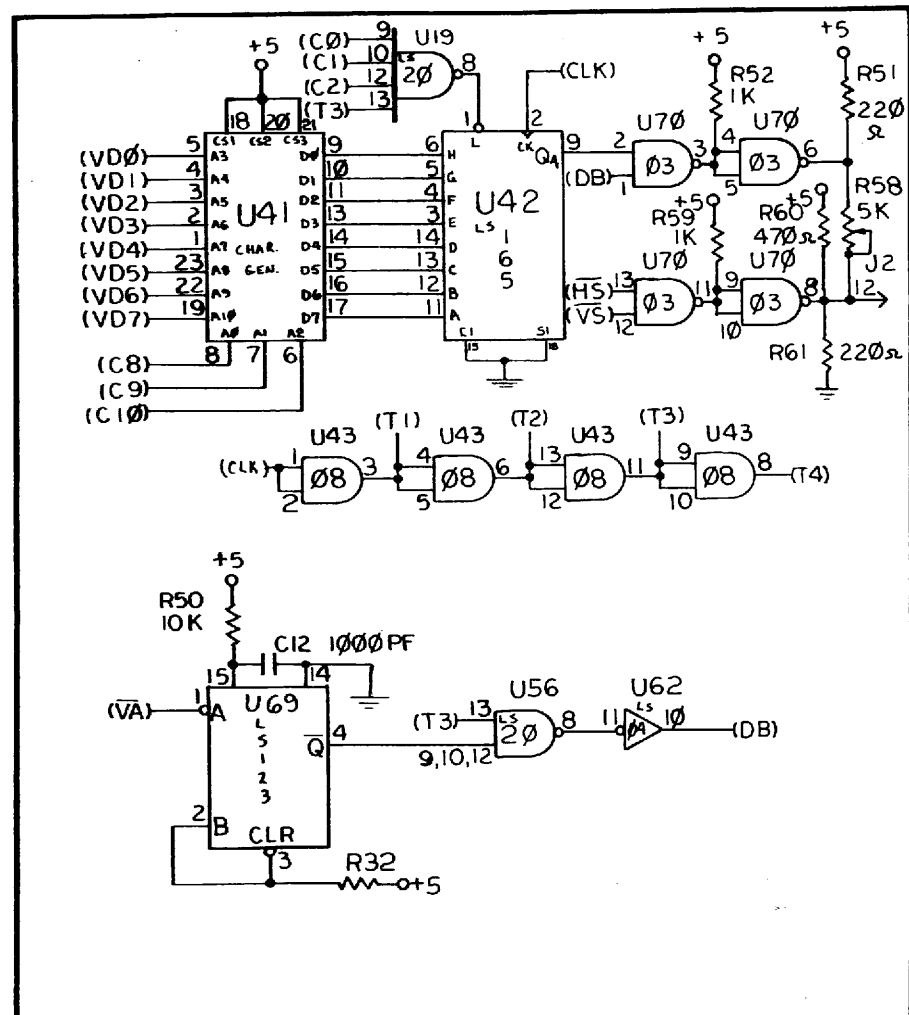


OHIO SCIENTIFIC

product name/number

date 5 SEP 1978 revision B page

status sheet 9 of 13

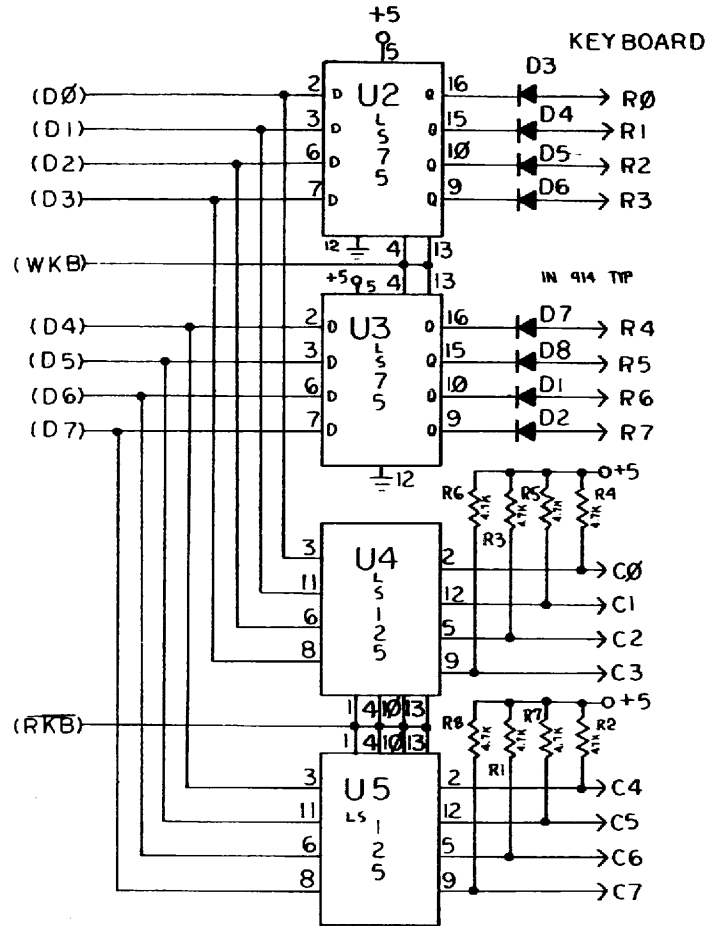


OHIO SCIENTIFIC

product name/number

date 5 SEP 1978 revision B page

status sheet 10 of 13



OHIO SCIENTIFIC

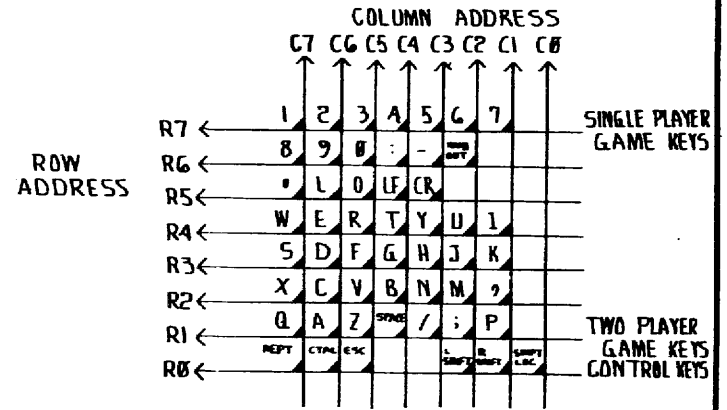
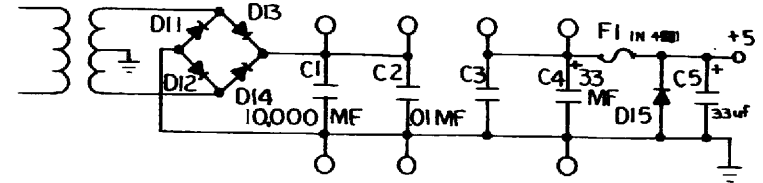
product name/number

date
5 SEP 1978

revision
B

page

status sheet 11 of 13



NOTES:
 1) STANDARD 53 KEY LAYOUT EXCEPT:
 "HERE IS" DELETED.
 "RUB OUT" AT "HERE IS" LOCATION.
 "SHIFT LOK" AT "RUBOUT" LOCATION.
 "SHIFT" SEPARATELY DECODED FOR "LEFT SHIFT"
 AND "RIGHT SHIFT."

OHIO SCIENTIFIC

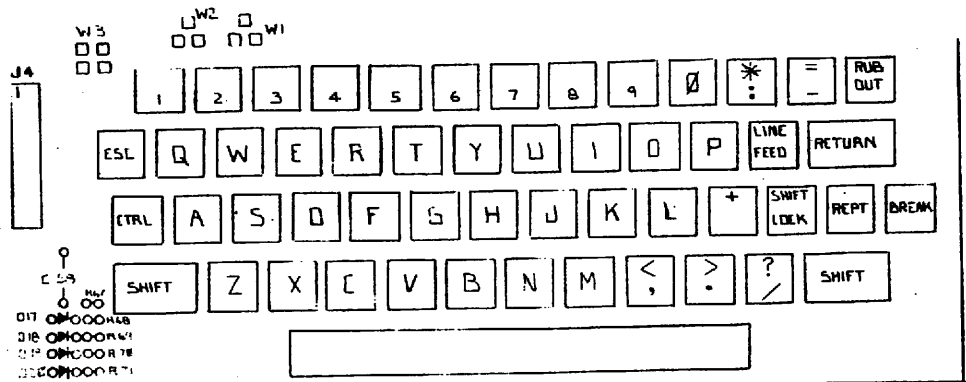
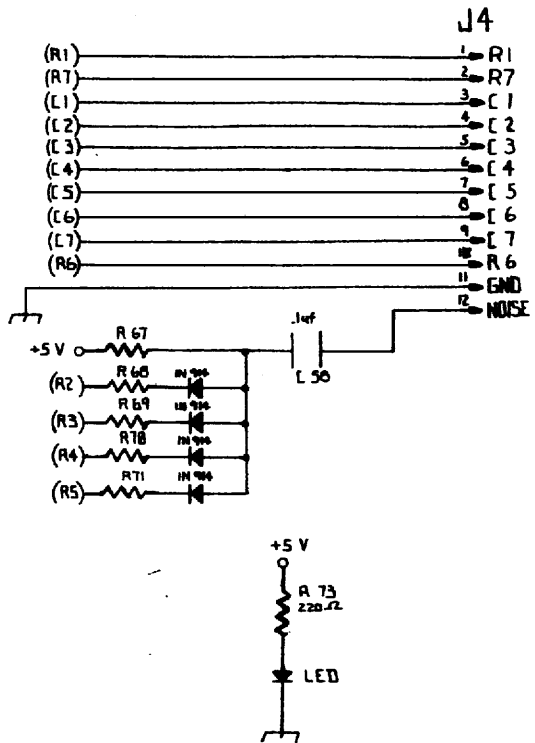
product name/number

date
5 SEP 1978

revision
B

page

status sheet 12 of 13



OHIO SCIENTIFIC

product name/number
JOY STEK + SOUND

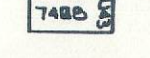
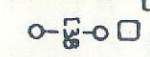
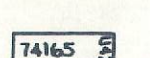
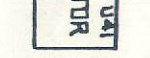
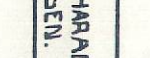
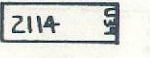
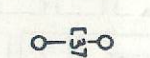
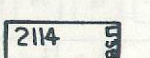
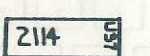
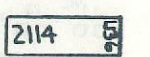
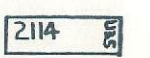
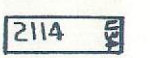
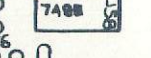
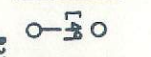
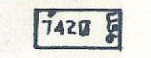
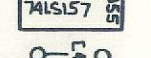
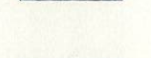
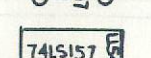
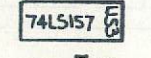
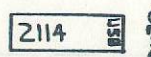
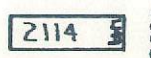
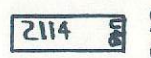
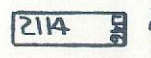
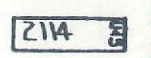
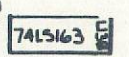
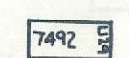
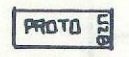
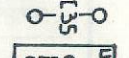
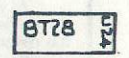
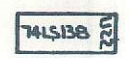
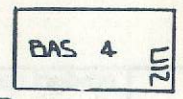
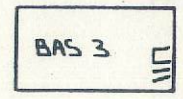
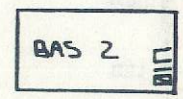
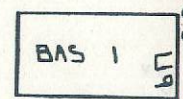
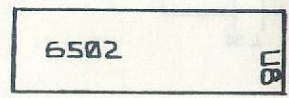
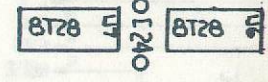
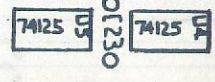
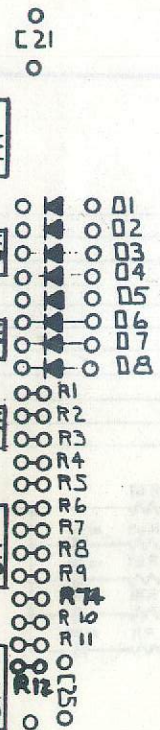
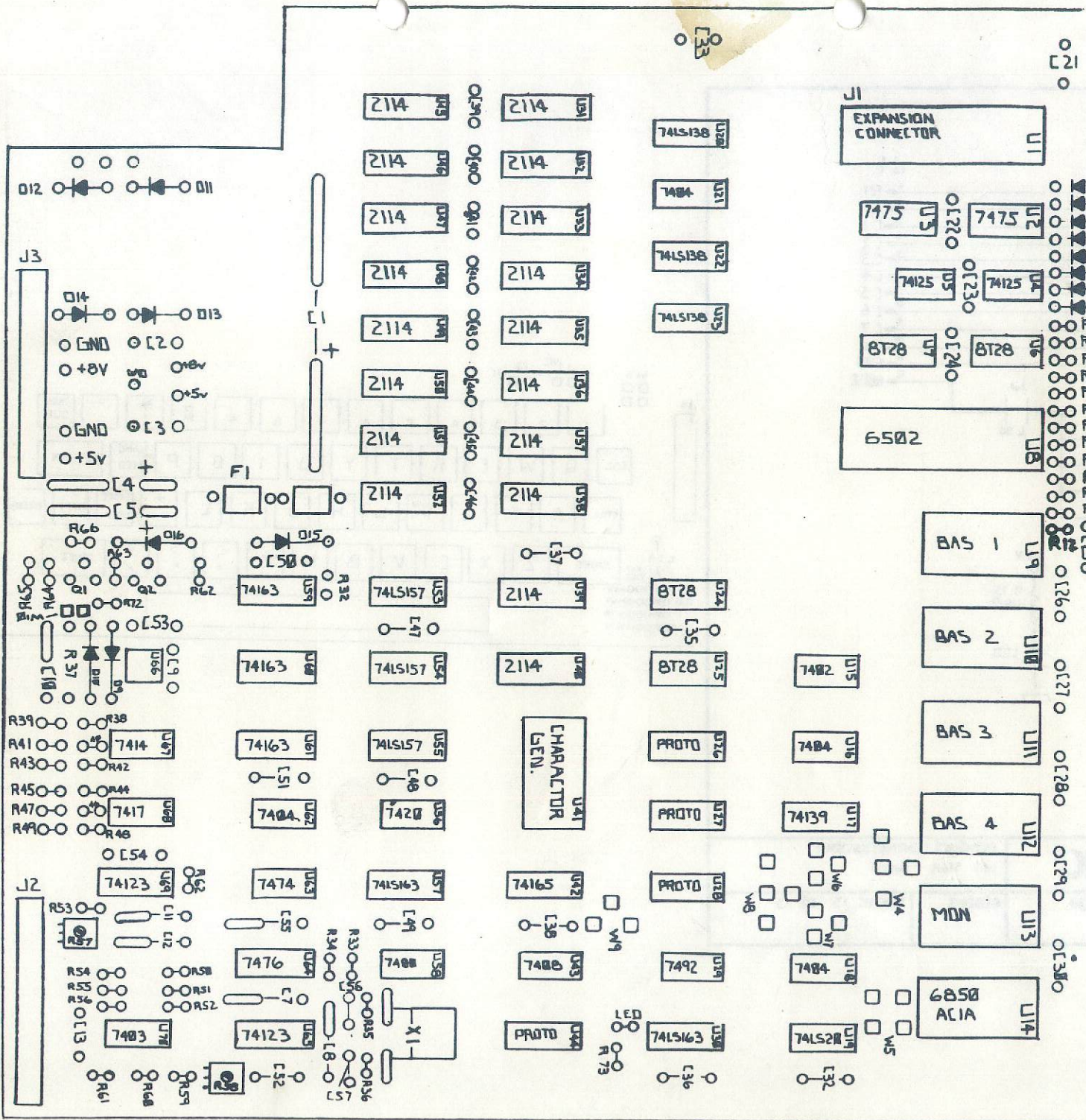
date
5 SEP 1978

revision
B

page

status

sheet 13 of 13



OHIO SCIENTIFIC